



SUCTION AND LOW-PRESSURE FITTINGS

High flexibility from design to production



SUCTION AND LOW-PRESSURE FITTINGS

High flexibility from design to production

Our customers can choose from a comprehensive range of suction and low pressure fittings in straight, 45° and 90° designs. In addition, special angular positions and customised solutions are available at short notice.



Standard designs

- Straight
- Angle 45°
- Angle 90°

Custom made solutions

The Dietzel building-block system and the flexible production allows for the manufacture of custom made solutions within a short time. Special fittings for your applications may include:

- Deviating angular positions
- Special leg lengths
- Step sizes
- Short nipples for restricted installation space

Insertion of fittings

Different fastening elements are available for controlled insertion of sucking and low pressure fittings. In principle, ferrules are preferred for assembled hose lines. If corrections are necessary during the installation, hose clamps and clamping shells are a suitable alternative.

Inserts at a glance:

Ferrules
Hose clamps
Clamp mounting

Connection types:

DKOL
DKM
SAE-flanges
DIN-flanges
Adjustable gear pump connections
with hole circle (LK 35, 40, 55)

Seals:

O-ring sealing variants
New suction hose inserts for high
tear prevention and seal integrity

Table of Contents

DKM straight	4
DKM 45°	6
DKM 90°	8
CEL straight	10
DKOL straight	12
DKOL 45°	14
DKOL 90°	16
AGR cylindrical straight	18
AGR conical straight	20
SFL straight	22
SFL 45°	24
SFL 90°	26
fixed DIN flange straight	28
fixed DIN flange 45°	31
fixed DIN flange 90°	34
loose DIN flange straight	37
loose DIN flange 45°	40
loose DIN flange 90°	43
weld-on nipple straight	46
weld-on nipple 45°	48
weld-on nipple 90°	50
Ferrules 117G	52
Ferrules 115	54
Ferrules 116	55
Clamp mouting 113	56
Hose clamp one piece 119	58
Hose clamp two piece 219	60
Ball valves with flange connection acc. to DIN 2673	61
Ball valves with SAE flange connection	62
Ball valves SAE flange connection 90° 1st variant	63
Ball valves with SAE flange connection 90° 2nd variant	65
Tank connector with SAE flange	66
Tank connector with SAE flange 90° elbow	67
Tank connector for gear pumps with square flange straight	68
Tank connector for gear pumps with square flange 90° elbow	69
Tank connector for return pipes for return pipe	70
RODI	72

Updated at: 11.01.2023

Suction and low-pressure fittings DKM straight

Updated at:
11.01.2023

Connection

Sealing head 60° outside cone with metric nut LL series

Standard

DIN 3863

Application

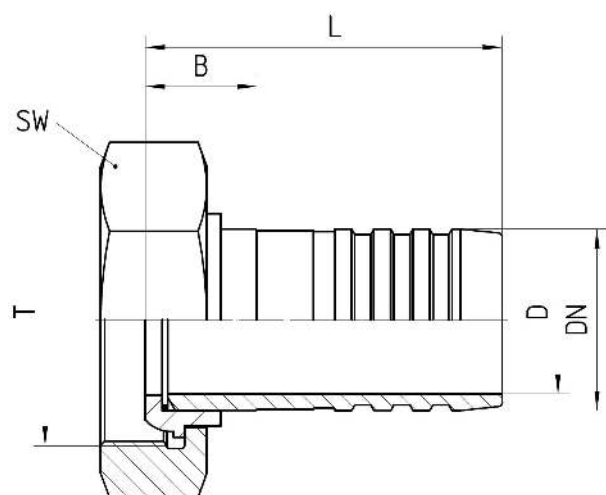
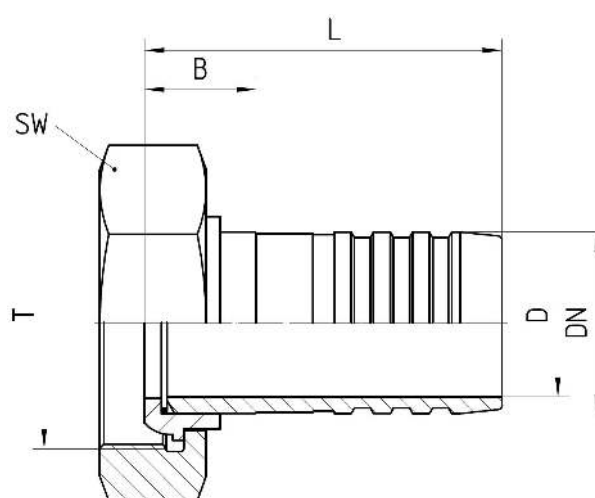
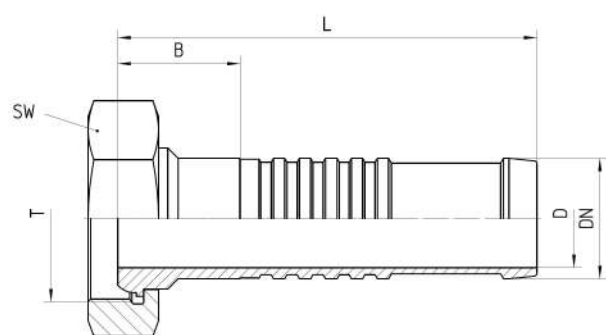
14A / 17A flexible tubes

Material

Steel

Surface protection

Zinc-electroplated



Order no.	DN in mm	T	SW in mm	D in mm	B±3 in mm	L ±3 in mm	Order No.	B±3 in mm	L±3 in mm
17.011-12-12	19	M30x1.5	36	14	25	105	17.011K-12-12	21	65
17.011-16-12	19	M38x1.5	46	14	23	103	17.011K-16-12	19	63

Order no.	DN in mm	T	SW in mm	D in mm	B±3 in mm	L ±3 in mm	Order No.	B±3 in mm	L±3 in mm
17.011-12-16	25	M30x1.5	36	19	47	127	17.011K-12-16	43	87
17.011-16-16	25	M38x1.5	46	19	23	103	17.011K-16-16	19	63
17.011-20-16	25	M45x1.5	55	19	25	105	17.011K-20-16	21	65
17.011-12-20	31	M30x1.5	36	26	50	130	17.011K-12-20	46	90
17.011-16-20	31	M38x1.5	46	26	45	125	17.011K-16-20	41	85
17.011-20-20	31	M45x1.5	55	26	25	105	17.011K-20-20	21	65
17.011-24-20	31	M52x1.5	60	26	24	104	17.011K-24-20	20	64
17.011-16-24	38	M38x1.5	46	32	48	128	17.011K-16-24	44	88
17.011-20-24	38	M45x1.5	55	32	47	127	17.011K-20-24	43	87
17.011-24-24	38	M52x1.5	60	32	24	104	17.011K-24-24	20	64
17.011-32-24	38	M65x2.0	75	32	25	105	17.011K-32-24	21	65
17.011-20-32	51	M45x1.5	55	44	50	140	17.011K-20-32	55	100
17.011-24-32	51	M52x1.5	60	44	47	142	17.011K-24-32	52	97
17.011-32-32	51	M65x2.0	75	44	20	115	17.011K-32-32	25	70
17.011-40-32	51	M78x2.0	90	44	27	117	17.011K-40-32	32	77
17.011-24-36	60	M52x1.5	60	53	50	140	17.011K-24-36	55	100
17.011-32-36	60	M65x2.0	75	53	47	137	17.011K-32-36	46	91
17.011-40-36	60	M78x2.0	90	53	43	127	17.011K-40-36	46	91
17.011-48-36	60	M90x2.0	100	53	38	128	17.011K-48-36	43	88
17.011-32-48	76	M65x2.0	75	69	68	160	17.011K-32-48	75	120
17.011-40-48	76	M78x2.0	90	69	69	159	17.011K-40-48	74	119
17.011-48-48	76	M90x2.0	100	69	37	127	17.011K-48-48	42	87
17.011-56-48	76	M100x2.0	110	69	37	127	17.011K-56-48	42	87
17.011-40-56	90	M78x2.0	90	82	98	188	17.011K-40-56	82	127
17.011-48-56	90	M90x2.0	100	82	72	164	17.011K-48-56	79	124
17.011-56-56	90	M100x2.0	110	82	82	174	17.011K-56-56	77	122
17.011-48-64	102	M90x2.0	100	94	95	185	17.011K-48-64	84	132
17.011-56-64	102	M100x2.0	110	94	80	170	17.011K-56-64	82	130

Suction and low-pressure fittings DKM 45°

Updated at:
24.05.2022

Connection

Sealing head 60° outside cone with metric nut LL series

Standard

DIN 3863

Application

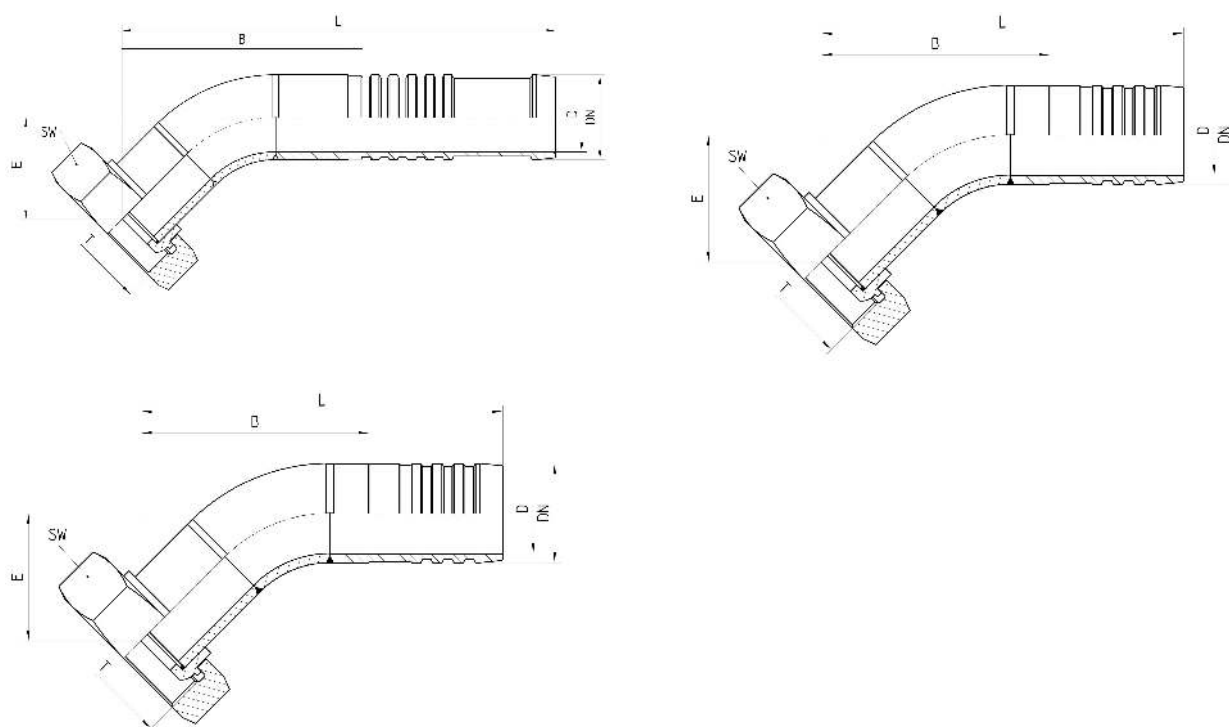
14A / 17A flexible tubes

Material

Steel

Surface protection

Zinc-electroplated



Order no.	DN in mm	T	SW in mm	D in mm	E±3 in mm	B±3 in mm	L±3 in mm	Order No.	B±3 in mm	L±3 in mm
17.015-12-12	19	M30x1.5	36	14	20	60	140	17.015K-12-12	56	100
17.015-16-12	19	M38x1.5	46	14	20	60	140	17.015K-16-12	56	100
17.015-12-16	25	M30x1.5	36	19	45	85	165	17.015K-12-16	81	125
17.015-16-16	25	M38x1.5	46	19	30	70	150	17.015K-16-16	66	110
17.015-20-16	25	M45x1.5	55	19	30	70	150	17.015K-20-16	66	110
17.015-12-20	31	M30x1.5	36	26	47	90	170	17.015K-12-20	86	130
17.015-16-20	31	M38x1.5	46	26	47	90	170	17.015K-16-20	86	130
17.015-20-20	31	M45x1.5	55	26	52	80	160	17.015K-20-20	76	120
17.015-24-20	31	M52x1.5	60	26	37	85	165	17.015K-24-20	81	125
17.015-16-24	38	M38x1.5	46	32	49	100	180	17.015K-16-24	96	140
17.015-20-24	38	M45x1.5	55	32	49	100	180	17.015K-20-24	96	140

Order no.	DN in mm	T	SW in mm	D in mm	E±3 in mm	B±3 in mm	L±3 in mm	Order No.	B±3 in mm	L±3 in mm
17.015-24-24	38	M52x1.5	60	32	39	90	170	17.015K-24-24	86	130
17.015-32-24	38	M65x2.0	75	32	39	90	170	17.015K-32-24	86	130
17.015-20-32	51	M45x1.5	55	44	57	100	190	17.015K-20-32	105	150
17.015-24-32	51	M52x1.5	60	44	54	133	223	17.015K-24-32	105	150
17.015-32-32	51	M65x2.0	75	44	41	123	213	17.015K-32-32	90	135
17.015-40-32	51	M78x2.0	90	44	50	95	185	17.015K-40-32	100	145
17.015-24-36	60	M52x1.5	60	53	45	100	190	17.015K-24-36	105	150
17.015-32-36	60	M65x2.0	75	53	52	100	190	17.015K-32-36	105	150
17.015-40-36	60	M78x2.0	90	53	42	84	176	17.015K-40-36	95	140
17.015-48-36	60	M90x2.0	100	53	52	115	205	17.015K-48-36	120	165
17.015-32-48	76	M 65x2.0	75	69	65	140	230	17.015K-32-48	145	173
17.015-40-48	76	M 78x2.0	90	69	60	165	215	17.015K-40-48	115	160
17.015-48-48	76	M 90x2.0	100	69	54	105	195	17.015K-48-48	110	155
17.015-56-48	76	M100x2.0	110	69	60	110	215	17.015K-56-48	115	160
17.015-40-56	90	M 78x2.0	90	82	64	148	238	17.015K-40-56	153	198
17.015-48-56	90	M 90x2.0	100	82	75	160	250	17.015K-48-56	165	210
17.015-56-56	90	M100x2.0	110	82	75	160	250	17.015K-56-56	165	210
17.015-48-64	102	M 90x2.0	100	94	75	138	228	17.015K-48-64	140	188
17.015-56-64	102	M100x2.0	110	94	80	160	250	17.015K-56-64	162	210

Suction and low-pressure fittings DKM 90°

Updated at:
24.05.2022

Connection

Sealing head 60° outside cone with metric nut LL series

Standard

DIN 3863

Application

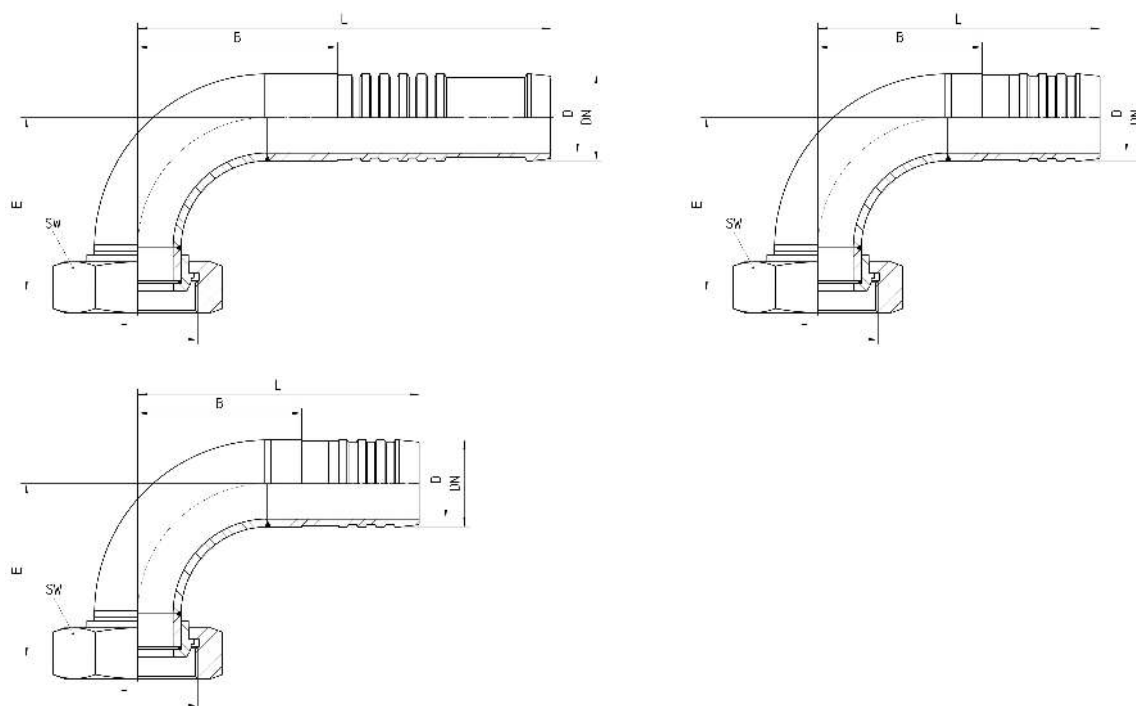
14A / 17A flexible tubes

Material

Steel

Surface protection

Zinc-electroplated



Order no.	DN in mm	T	SW in mm	D in mm	E±3 in mm	B±3 in mm	L±3 in mm	Order No.	B±3 in mm	L±3 in mm
17.019-12-12	19	M30x1.5	36	14	54	50	127	17.019K-12-12	50	94
17.019-16-12	19	M38x1.5	46	14	54	50	127	17.019K-16-12	50	94
17.019-12-16	25	M30x1.5	36	19	60	56	139	17.019K-12-16	56	100
17.019-16-16	25	M38x1.5	46	19	54	56	139	17.019K-16-16	56	100
17.019-20-16	25	M45x1.5	55	19	54	56	139	17.019K-20-16	56	100
17.019-12-20	31	M30x1.5	36	26	89	62	155	17.019K-12-20	62	106
17.019-16-20	31	M38x1.5	46	26	69	62	155	17.019K-16-20	62	106
17.019-20-20	31	M45x1.5	55	26	64	62	155	17.019K-20-20	62	106
17.019-24-20	31	M52x1.5	60	26	63	62	155	17.019K-24-20	62	106
17.019-16-24	38	M38x1.5	46	32	94	71	170	17.019K-16-24	71	115
17.019-20-24	38	M45x1.5	55	32	84	71	170	17.019K-20-24	71	115
17.019-24-24	38	M52x1.5	60	32	74	71	170	17.019K-24-24	71	115

Order no.	DN in mm	T	SW in mm	D in mm	E±3 in mm	B±3 in mm	L±3 in mm	Order No.	B±3 in mm	L±3 in mm
17.019-32-24	38	M65x2.0	75	32	74	71	170	17.019K-32-24	71	115
17.019-20-32	51	M45x1.5	55	44	129	128	220	17.019K-20-32	121	166
17.019-24-32	51	M52x1.5	60	44	127	128	220	17.019K-24-32	121	166
17.019-32-32	51	M65x2.0	75	44	105	128	220	17.019K-32-32	121	166
17.019-40-32	51	M78x2.0	90	44	107	128	220	17.019K-40-32	121	166
17.019-24-36	60	M52x1.5	60	53	115	89	181	17.019K-24-36	96	141
17.019-32-36	60	M65x2.0	75	53	111	89	181	17.019K-32-36	96	141
17.019-40-36	60	M78x2.0	90	53	106	89	181	17.019K-40-36	96	141
17.019-48-36	60	M90x2.0	100	53	130	123	213	17.019K-48-36	96	141
17.019-32-48	76	M65x2.0	75	69	130	125	215	17.019K-32-48	130	175
17.019-40-48	76	M78x2.0	90	69	138	125	215	17.019K-40-48	130	175
17.019-48-48	76	M 90x2.0	100	69	131	125	215	17.019K-48-48	130	175
17.019-56-48	76	M100x2	110	69	132	125	215	17.019K-56-48	130	175
17.019-40-56	90	M78x2	90	82	133	154	223	17.019K-40-56	128	173
17.019-48-56	90	M90x2.0	100	82	168	144	234	17.019K-48-56	149	194
17.019-56-56	90	M100x2.0	110	82	162	144	234	17.019K-56-56	149	194
17.019-48-64	102	M90x2.0	100	94	159	160	252	17.019K-48-64	144	192
17.019-56-64	102	M100x2.0	110	94	182	163	253	17.019K-56-64	165	213

Suction and low-pressure fittings CEL straight

Updated at:
24.05.2022

Connection

Metric male thread 24° with inner cone and pipe connection L series

Standard

ISO 8434-1

Application

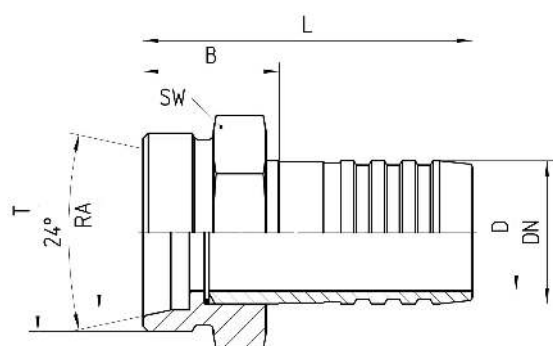
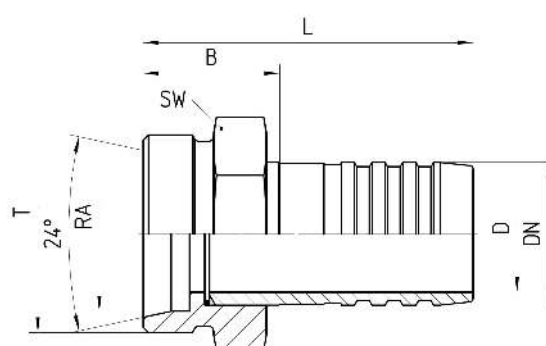
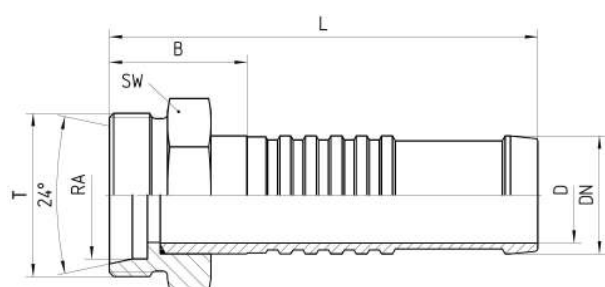
14A / 17A flexible tubes

Material

Steel

Surface protection

Zinc-electroplated



Order no.	RA	G	DN in mm	SW in mm	D in mm	B±3 in mm	L±3 in mm	Order No.	B±3 in mm	L±3 in mm
17.170-10-12	18L	M 26x1.5	19	27	14	32	112	17.170K-10-12	28	72
17.170-12-12	22L	M 30x2.0	19	36	14	34	114	17.170K-12-12	30	74
17.170-16-12	28L	M 36x2.0	19	36	14	35	115	17.170K-16-12	31	75
17.170-12-16	22L	M 30x2.0	25	36	19	46	126	17.170K-12-16	42	86
17.170-16-16	28L	M 36x2.0	25	36	19	35	115	17.170K-16-16	31	75
17.170-20-16	35L	M 45x2.0	25	46	19	34	114	17.170K-20-16	34	78
17.170-24-16	42L	M 52x2.0	25	55	19	41	121	17.170K-24-16	37	81
17.170-12-20	22L	M 30x2.0	31	36	26	48	128	17.170K-12-20	44	88

Order no.	RA	G	DN in mm	SW in mm	D in mm	B±3 in mm	L±3 in mm	Order No.	B±3 in mm	L±3 in mm
17.170-16-20	28L	M 36x2.0	31	36	26	37	117	17.170K-16-20	33	77
17.170-20-20	35L	M 45x2.0	31	46	26	38	118	17.170K-20-20	34	78
17.170-24-20	42L	M 52x2.0	31	55	26	48	128	17.170K-24-20	37	81
17.170-12-24	22L	M 30x2.0	38	36	32	48	128	17.170K-12-24	37	81
17.170-16-24	28L	M 36x2.0	38	36	32	47	127	17.170K-16-24	43	87
17.170-20-24	35L	M 45x2.0	38	46	32	38	118	17.170K-20-24	44	88
17.170-24-24	42L	M 52x2.0	38	55	32	41	121	17.170K-24-24	37	81
17.170-16-32	28L	M 36x2.0	51	36	44	50	142	17.170K-16-32	57	102
17.170-20-32	35L	M 45x2.0	51	46	44	79	171	17.170K-20-32	55	100
17.170-24-32	42L	M 52x2.0	51	55	44	39	131	17.170K-24-32	46	91
17.170-20-36	35L	M 45x2.0	60	46	53	58	150	17.170K-20-36	65	110
17.170-24-36	42L	M 52x2.0	60	55	53	56	148	17.170K-24-36	63	108

Suction and low-pressure fittings DKOL straight

Updated at:
11.01.2023

Connection

Sealing head 24° outside cone O-ring sealing with metric nut L series

Standard

ISO 8434-1

Application

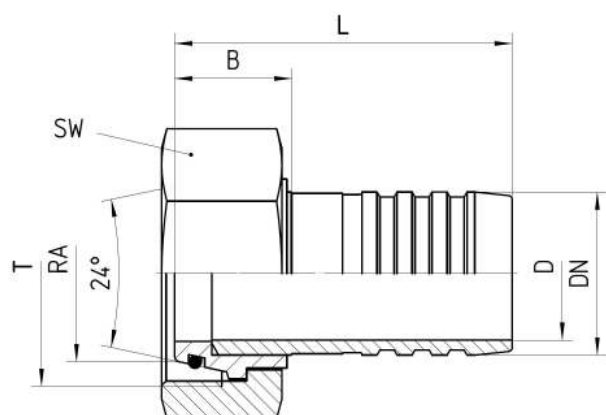
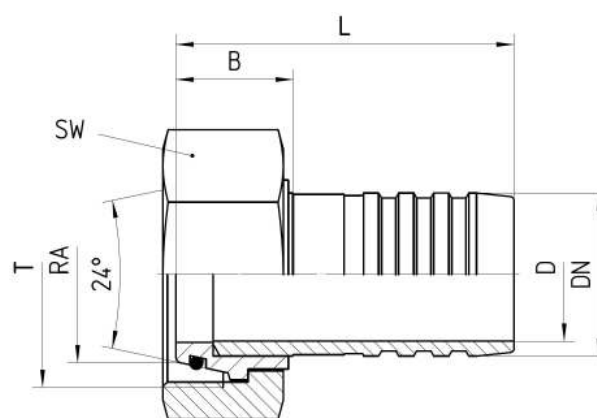
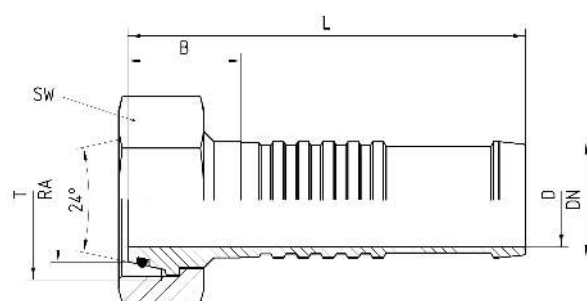
14A / 17A flexible tubes

Material

Steel

Surface protection

Zinc-electroplated



Order no.	DN in mm	RA	T	SW in mm	D in mm	B±3 in mm	L±3 in mm	Order No.	B±3 in mm	L±3 in mm
17.051-10-12	19	18L	M26x1.5	32	14	28	108	17.051K-10-12	23	67
17.051-12-12	19	22L	M30x2.0	36	14	28	108	17.051K-12-12	24	68
17.051-16-12	19	28L	M36x2.0	41	14	28	108	17.051K-16-12	24	68

Order no.	DN in mm	RA	T	SW in mm	D in mm	B±3 in mm	L±3 in mm	Order No.	B±3 in mm	L±3 in mm
17.051-12-16	25	22L	M30x2.0	36	19	28	108	17.051K-12-16	46	90
17.051-16-16	25	28L	M36x2.0	41	19	28	108	17.051K-16-16	24	68
17.051-20-16	25	35L	M45x2.0	50	19	30	110	17.051K-20-16	26	70
17.051-24-16	25	42L	M52x2.0	60	19	30	110	17.051K-24-16	26	70
17.051-12-20	31	22L	M30x2.0	36	26	72	152	17.051K-12-20	44	88
17.051-16-20	31	28L	M36x2.0	41	26	45	125	17.051K-16-20	41	85
17.051-20-20	31	35L	M45x2.0	50	26	30	110	17.051K-20-20	26	70
17.051-24-20	31	42L	M52x2.0	60	26	38	118	17.051K-24-20	26	70
17.051-12-24	38	22L	M30x2.0	36	32	63	143	17.051K-12-24	56	100
17.051-16-24	38	28L	M36x2.0	41	32	65	145	17.051K-16-24	46	90
17.051-20-24	38	35L	M45x2.0	50	32	47	127	17.051K-20-24	43	87
17.051-24-24	38	42L	M52x2.0	60	32	30	110	17.051K-24-24	26	70
17.051-16-32	51	28L	M36x2.0	41	44	68	160	17.051K-16-32	70	115
17.051-20-32	51	35L	M45x2.0	50	44	67	159	17.051K-20-32	55	100
17.051-24-32	51	42L	M52x2.0	60	44	69	161	17.051K-24-32	58	103
17.051-20-36	60	35L	M45x2.0	50	53	63	155	17.051K-20-36	70	115
17.051-24-36	60	42L	M52x2.0	60	53	63	155	17.051K-24-36	70	115

Suction and low-pressure fittings DKOL 45°

Updated at:
11.01.2023

Connection

Sealing head 24° outside cone O-ring sealing with metric nut L series

Standard

ISO 8434-1

Application

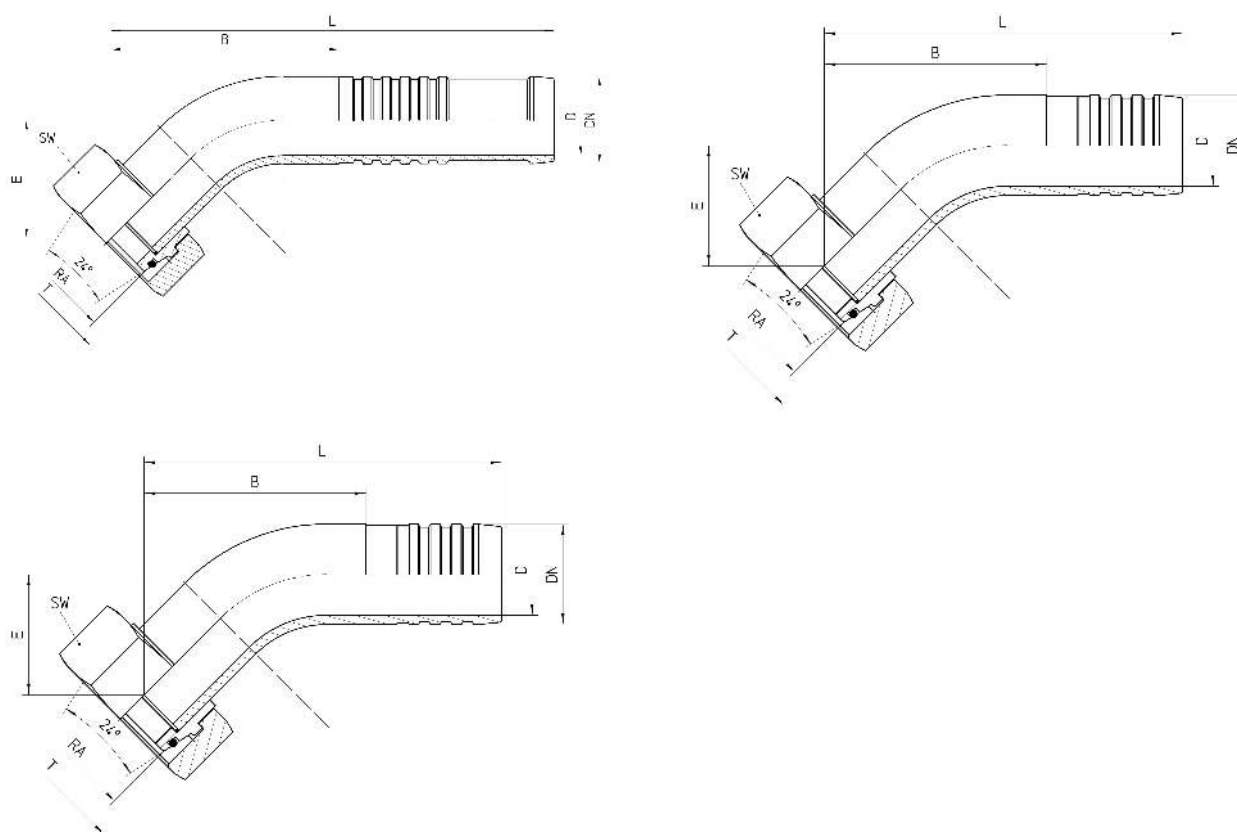
14A / 17A flexible tubes

Material

Steel

Surface protection

Zinc-electroplated



Order no.	DN in mm	RA	T	SW in mm	D in mm	E±3 in mm	B±3 in mm	L±3 in mm	Order No.	B±3 in mm	L±3 in mm
17.055-10-12	19	18L	M26x1.5	32	14	27	60	140	17.055K	56	100
17.055-12-12	19	22L	M30x2.0	36	14	27	60	140	17.055K	56	100
17.055-16-12	19	28L	M36x2.0	41	14	27	60	140	17.055K	56	100
17.055-12-16	25	22L	M30x2.0	36	19	34	70	150	17.055K	61	105
17.055-16-16	25	28L	M36x2.0	41	19	34	70	150	17.055K	61	105
17.055-20-16	25	35L	M45x2.0	51	19	34	71	151	17.055K	61	105
17.055-24-16	25	42L	M52x2.0	60	19	34	71	151	17.055K	61	105
17.055-12-20	31	22L	M30x2.0	36	26	46	80	160	17.055K	76	120

Order no.	DN in mm	RA	T	SW in mm	D in mm	E±3 in mm	B±3 in mm	L±3 in mm	Order No.	B±3 in mm	L±3 in mm
17.055-16-20	31	28L	M36x2.0	41	26	46	89	169	17.055k	76	120
17.055-20-20	31	35L	M45x2.0	50	26	45	86	166	17.055k	78	122
17.055-24-20	31	42L	M52x2.0	60	26	43	82	166	17.055k	78	122
17.055-12-24	38	22L	M30x2.0	36	32	70	115	195	17.055k	111	155
17.055-16-24	38	28L	M36x2.0	41	32	53	115	195	17.055k	88	132
17.055-20-24	38	35L	M45x2.0	50	32	53	115	195	17.055k	106	150
17.055-24-24	38	42L	M52x2.0	60	32	53	115	195	17.055k	96	140
17.055-16-32	51	28L	M36x2.0	41	44	57	131	223	17.055k	124	169
17.055-20-32	51	35L	M45x2.0	50	44	57	131	223	17.055k	124	169
17.055-24-32	51	42L	M52x2.0	60	44	57	131	223	17.055k	124	169
17.055-20-36	60	35L	M45x2.0	50	53	57	101	193	17.055k	120	165
17.055-24-36	60	42L	M52x2.0	60	53	61	113	205	17.055k	120	165

Suction and low-pressure fittings DKOL 90°

Updated at:
24.05.2022

Connection

Sealing head 24° outside cone O-ring sealing with metric nut L series

Standard

ISO 8434-1

Application

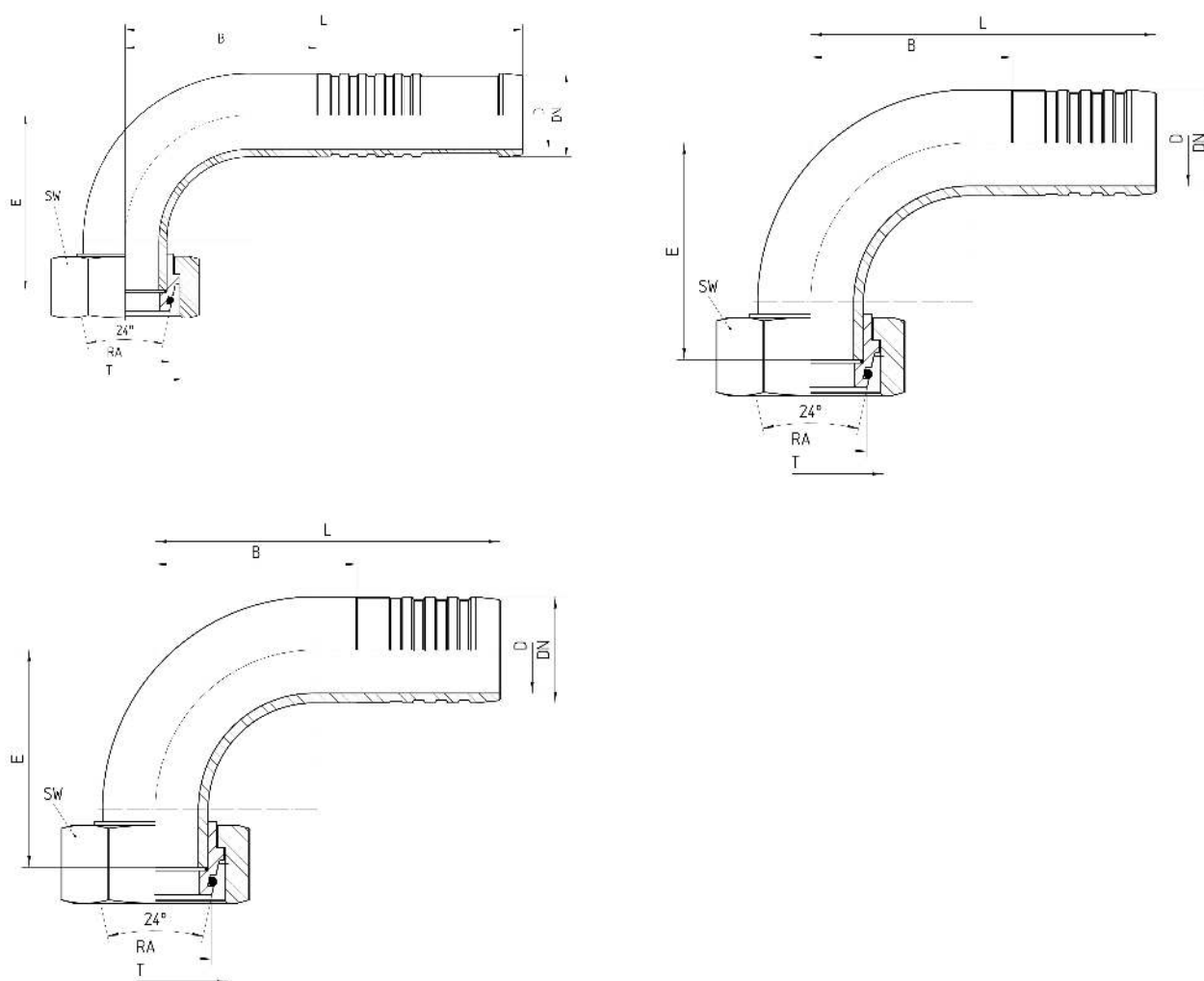
14A / 17A flexible tubes

Material

Steel

Surface protection

Zinc-electroplated



Order no.	DN in mm	RA	T	SW in mm	D in mm	E±3 in mm	B±3 in mm	L±3 in mm	Order No.	B±3 in mm	L±3 in mm
17.059-10-12	19	18L	M26x1.5	32	14	53	47	127	17.059K	50	94
17.059-12-12	19	22L	M30x2.0	36	14	51	47	127	17.059K	50	94
17.059-16-12	19	28L	M36x2.0	41	14	54	47	127	17.059K	50	94
17.059-12-16	25	22L	M30x2.0	36	19	67	59	139	17.059K	56	100

Order no.	DN in mm	RA	T	SW in mm	D in mm	E±3 in mm	B±3 in mm	L±3 in mm	Order No.	B±3 in mm	L±3 in mm
17.059-16-16	25	28L	M36x2.0	41	19	65	59	139	17.059K	56	100
17.059-20-16	25	35L	M45x2.0	50	19	66	59	139	17.059K	56	100
17.059-24-16	25	42L	M52x2.0	60	19	65	59	139	17.059K	56	100
17.059-12-20	31	22L	M30x2.0	36	26	80	75	155	17.059K	62	106
17.059-16-20	31	28L	M36x2.0	41	26	82	75	155	17.059K	62	106
17.059-20-20	31	35L	M45x2.0	50	26	75	75	155	17.059K	62	106
17.059-24-20	31	42L	M52x2.0	60	26	75	75	155	17.059K	62	106
17.059-12-24	38	22L	M30x2.0	36	32	118	90	170	17.059K	71	115
17.059-16-24	38	28L	M36x2.0	41	32	93	90	170	17.059K	71	115
17.059-20-24	38	35L	M45x2.0	50	32	91	90	170	17.059K	71	115
17.059-24-24	38	42L	M52x2.0	60	32	90	90	170	17.059K	71	115
17.059-16-32	51	28L	M36x2.0	41	44	152	128	220	17.059K	121	166
17.059-20-32	51	35L	M45x2.0	50	44	113	128	220	17.059K	121	166
17.059-24-32	51	42L	M52x2.0	60	44	112	128	220	17.059K	121	166
17.059-20-36	60	35L	M45x2.0	50	53	128	89	181	17.059K	96	141
17.059-24-36	60	42L	M52x2	60	53	127	89	181	17.059K	96	141

Suction and low-pressure fittings AGR cylindrical straight

Updated at:
11.01.2023

Connection

BSPB male thread (G) with 60° inner cone

Standard

ISO 8434-6

Application

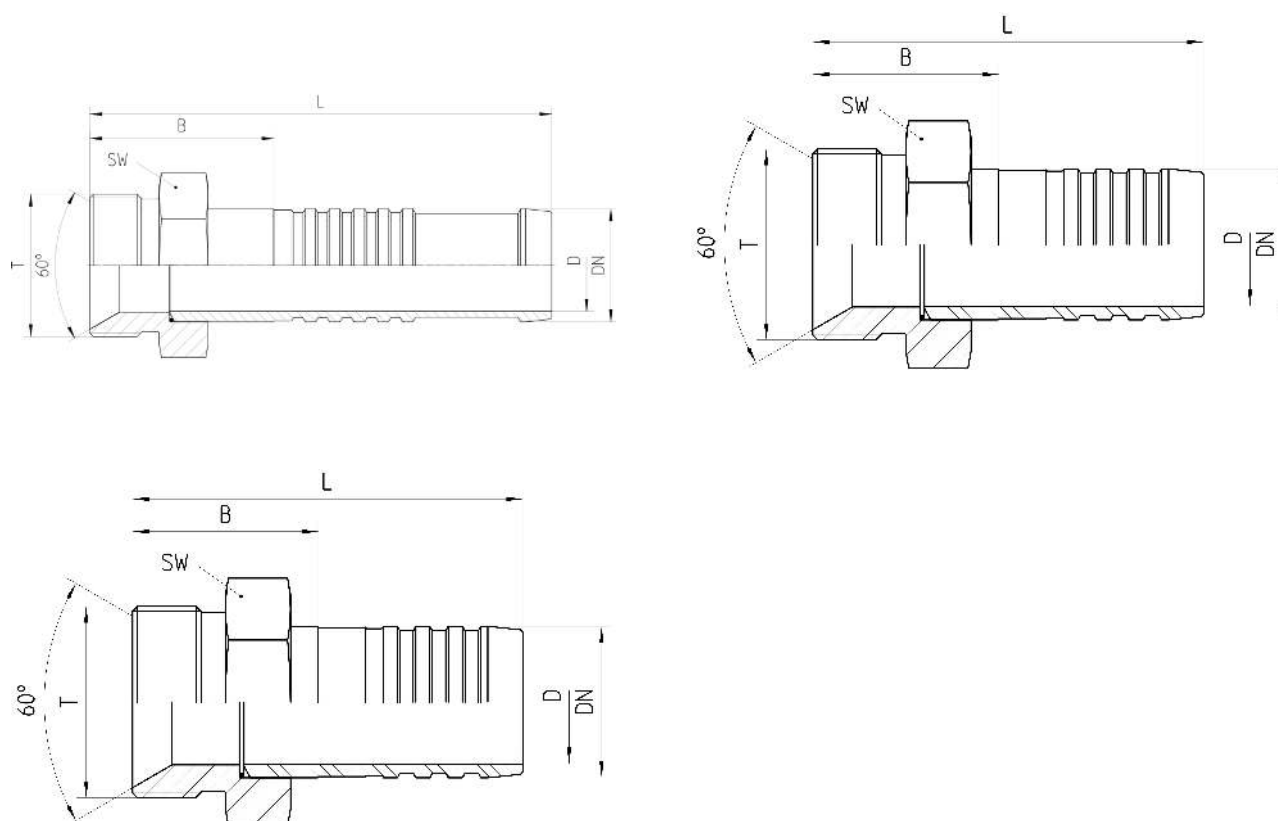
14A / 17A flexible tubes

Material

Steel

Surface protection

Zinc-electroplated



Order no.	DN in mm	T in inch	SW in mm	D in mm	B±3 in mm	L±3 in mm	Order No.	B±3 in mm	L±3 in mm
17.260-08-12	19	G 1/2	22	14	40	120	17.260K-08-12	36	80
17.260-12-12	19	G 3/4	27	14	40	120	17.260K-12-12	36	80
17.260-16-12	19	G 1	36	14	52	132	17.260K-16-12	48	92
17.260-12-16	25	G 3/4	27	19	40	120	17.260K-12-16	36	80
17.260-16-16	25	G 1	36	19	40	120	17.260K-16-16	36	80
17.260-20-16	25	G 1 1/4	46	19	53	133	17.260K-20-16	49	93
17.260-12-20	31	G 3/4	27	26	53	133	17.260K-12-20	49	93
17.260-16-20	31	G 1	36	26	53	133	17.260K-16-20	36	80
17.260-20-20	31	G 1 1/4	46	26	40	120	17.260K-20-20	36	80

Order no.	DN in mm	T in inch	SW in mm	D in mm	B±3 in mm	L±3 in mm	Order No.	B±3 in mm	L±3 in mm
17.260-24-20	31	G 1 1/2	50	26	63	143	17.260K-24-20	59	103
17.260-12-24	38	G 3/4	27	32	60	140	17.260K-12-24	73	117
17.260-16-24	38	G 1	36	32	60	140	17.260K-16-24	49	93
17.260-20-24	38	G 1 1/4	46	32	45	125	17.260K-20-24	39	83
17.260-24-24	38	G 1 1/2	50	32	45	125	17.260K-24-24	45	89
17.260-32-24	38	G 2	65	32	72	152	17.260K-32-24	68	112
17.260-16-32	51	G 1	36	44	84	176	17.260K-16-32	70	115
17.260-20-32	51	G 1 1/4	46	44	79	171	17.260K-20-32	63	108
17.260-24-32	51	G 1 1/2	50	44	46	138	17.260K-24-32	66	111
17.260-32-32	51	G 2	65	44	48	140	17.260K-32-32	50	95
17.260-40-32	51	G 2 1/2	80	44	58	150	17.260K-40-32	50	95
17.260-20-36	60	G 1 1/4	46	53	80	172	17.260K-20-36	88	133
17.260-24-36	60	G 1 1/2	50	53	81	173	17.260K-24-36	88	133
17.260-32-36	60	G 2	65	53	58	150	17.260K-32-36	55	100
17.260-40-36	60	G 2 1/2	80	53	58	150	17.260K-40-36	70	115
17.260-48-36	60	3	90	53	63	155	17.260K-48-36	70	115
17.260-40-48	76	G 2 1/2	80	60	59	151	17.260K-40-48	66	111
17.260-48-48	76	G 3	90	60	55	147	17.260K-48-48	62	107

Suction and low-pressure fittings AGR conical straight

Updated at:
24.05.2022

Connection

BSPT male thread (R) coned sealing

Application

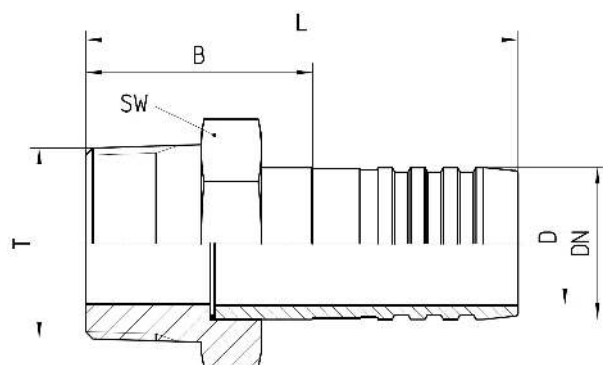
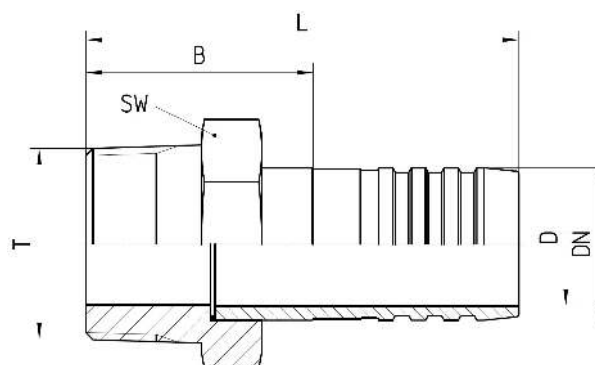
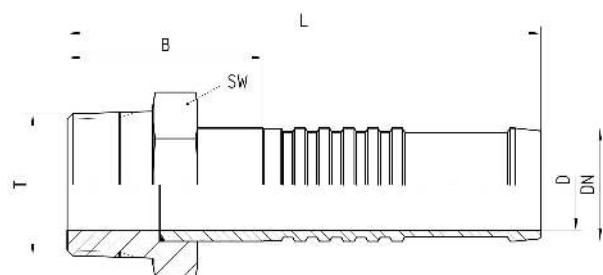
14A / 17A flexible tubes

Material

Steel

Surface protection

Zinc-electroplated



Order no.	DN in mm	T in inch	SW in mm	D in mm	B±3 in mm	L±3 in mm	Order No.	B±3 in mm	L±3 in mm
17.301-08-12	19	R 1/2	22	14	30	110	17.301K-08-12	37	81
17.301-12-12	19	R 3/4	30	14	42	122	17.301K-12-12	38	82
17.301-16-12	19	R 1	41	14	46	126	17.301K-16-12	42	86
17.301-12-16	25	R 3/4	27	19	40	120	17.301K-12-16	36	80
17.301-16-16	25	R 1	41	19	35	115	17.301K-16-16	41	85
17.301-20-16	25	R 1 1/4	46	19	47	127	17.301K-20-16	56	100
17.301-12-20	31	R 3/4	27	26	52	132	17.301K-12-20	36	80
17.301-16-20	31	R 1	41	26	56	136	17.301K-16-20	36	80
17.301-20-20	31	R 1 1/4	46	26	57	137	17.301K-20-20	49	93
17.301-24-20	31	R 1 1/2	50	26	57	137	17.301K-24-20	53	97
17.301-12-24	38	R 3/4	27	32	48	128	17.301K-12-24	44	88

Order no.	DN in mm	T in inch	SW in mm	D in mm	B±3 in mm	L±3 in mm	Order No.	B±3 in mm	L±3 in mm
17.301-16-24	38	R 1	41	32	44	124	17.301K-16-24	44	88
17.301-20-24	38	R 1 1/4	46	32	47	127	17.301K-20-24	43	87
17.301-24-24	38	R 1 1/2	50	32	47	127	17.301K-24-24	52	96
17.301-32-24	38	R 2	65	32	66	146	17.301K-32-24	62	106
17.301-16-32	51	R 1	41	44	73	165	17.301K-16-32	70	115
17.301-20-32	51	R 1 1/4	46	44	78	170	17.301K-20-32	71	116
17.301-24-32	51	R 1 1/2	50	44	78	170	17.301K-24-32	65	110
17.301-32-32	51	R 2	65	44	61	153	17.301K-32-32	68	113
17.301-40-32	51	R 2 1/2	80	44	63	155	17.301K-40-32	70	115
17.301-20-36	60	R 1 1/4	46	53	82	174	17.301K-20-36	71	116
17.301-24-36	60	R 1 1/2	50	53	82	174	17.301K-24-36	72	117
17.301-32-36	60	R 2	65	53	58	150	17.301K-32-36	77	122
17.301-40-36	60	R 2 1/2	80	53	63	155	17.301K-40-36	70	115
17.301-48-36	60	R 3	90	53	73	165	17.301K-48-36	80	125
17.301-32-48	76	R 2	65	69	92	184	17.301K-32-48	78	123
17.301-40-48	76	R 2 1/2	80	69	82	174	17.301K-40-48	69	114
17.301-48-48	76	R 3	90	69	85	177	17.301K-48-48	72	117
17.301-40-56	90	G 2 1/2	80	82	81	173	17.301K-40-56	88	133
17.301-48-56	90	G 3	90	82	78	170	17.301K-48-56	95	140
17.301-48-64	102	G 3	90	94	123	215	17.301K-48-64	104	152

Suction and low-pressure fittings

SFL straight

Updated at:
11.01.2023

Connection

SAE flange 3000PSI (L series)

Standard

ISO 6162-1

Application

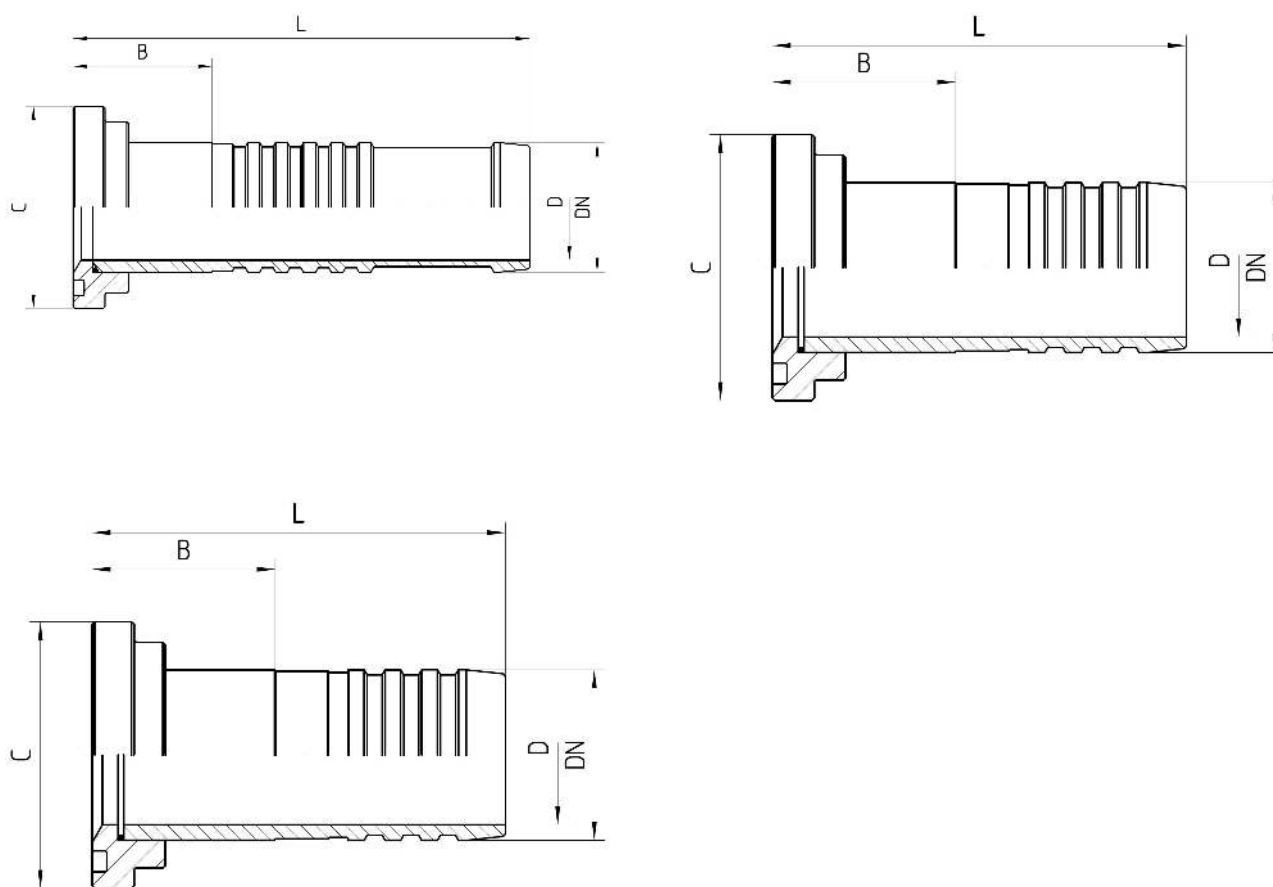
14A / 17A flexible tubes

Material

Steel

Surface protection

Zinc-electroplated



Order no.	DN in mm	flange in inch	C in mm	D in mm	B±3 in mm	L±3 in mm	Order-No.	B±3 in mm	L±3 in mm
17.420-08-12	19	1/2	30,2	14	36	116	17.420K-08-12	32	76
17.420-12-12	19	3/4	38,1	14	27	107	17.420K-12-12	23	67
17.420-16-12	19	1	44,4	14	27	107	17.420K-16-12	23	67
17.420-20-12	19	1 1/4	50,8	14	24	104	17.420K-20-12	20	64
17.420-12-16	25	3/4	38,1	19	46	126	17.420K-12-16	42	86
17.420-16-16	25	1	44,4	19	27	107	17.420K-16-16	23	67

Order no.	DN in mm	flange in inch	C in mm	D in mm	B±3 in mm	L±3 in mm	Order-No.	B±3 in mm	L±3 in mm
17.420-20-16	25	1 1/4	50,8	19	27	107	17.420K-20-16	23	67
17.420-24-16	25	1 1/2	60,3	19	28	108	17.420K-24-16	24	68
17.420-12-20	31	3/4	38,1	26	68	148	17.420K-12-20	44	88
17.420-16-20	31	1	44,4	26	47	127	17.420K-16-20	43	87
17.420-20-20	31	1 1/4	50,8	26	37	117	17.420K-20-20	33	77
17.420-24-20	31	1 1/2	60,3	26	38	118	17.420K-24-20	43	87
17.420-32-20	31	2	71,4	26	47	127	17.420K-32-20	43	87
17.420-16-24	38	1	44,4	32	49	129	17.420K-16-24	45	89
17.420-20-24	38	1 1/4	50,8	32	45	125	17.420K-20-24	41	85
17.420-24-24	38	1 1/2	60,3	32	28	108	17.420K-24-24	34	78
17.420-32-24	38	2	71,4	32	46	126	17.420K-32-24	42	86
17.420-40-24	38	2 1/2	84,1	32	46	126	17.420K-40-24	62	106
17.420-20-32	51	1 1/4	50,8	44	71	163	17.420K-20-32	73	118
17.420-24-32	51	1 1/2	60,3	44	63	155	17.420K-24-32	60	105
17.420-32-32	51	2	71,4	44	36	128	17.420K-32-32	53	98
17.420-40-32	51	2 1/2	84,1	44	46	138	17.420K-40-32	63	108
17.420-48-32	51	3	101,6	44	45	137	17.420K-48-32	63	108
17.420-24-36	60	1 1/2	60,3	53	62	154	17.420K-24-36	75	120
17.420-32-36	60	2	71,4	53	58	150	17.420K-32-36	65	110
17.420-40-36	60	2 1/2	84,1	53	38	130	17.420K-40-36	45	90
17.420-48-36	60	3	101,6	53	58	150	17.420K-48-36	65	110
17.420-56-36	60	3 1/2	114,3	53	127	219	17.420K-56-36	75	120
17.420-32-48	76	2	71,4	69	93	185	17.420K-32-48	100	145
17.420-40-48	76	2 1/2	84,1	69	77	169	17.420K-40-48	84	129
17.420-48-48	76	3	101,6	69	58	150	17.420K-48-48	64	109
17.420-56-48	76	3 1/2	114,3	69	67	159	17.420K-56-48	82	127
17.420-64-48	76	4	127,0	69	93	185	17.420K-64-48	80	125
17.420-40-56	90	2 1/2	84,1	82	100	192	17.420K-40-56	107	152
17.420-48-56	90	3	101,6	82	80	172	17.420K-48-56	87	132
17.420-56-56	90	3 1/2	114,3	82	80	172	17.420K-56-56	67	112
17.420-64-56	90	4	127,0	82	80	172	17.420K-64-56	97	142
17.420-80-56	90	5	152,4	82	146	238	17.420K-80-56	103	148
17.420-48-64	102	3	101,6	94	96	188	17.420K-48-64	98	146
17.420-56-64	102	3 1/2	114,3	94	83	175	17.420K-56-64	87	135
17.420-64-64	102	4	127,0	94	73	165	17.420K-64-64	77	125
17.420-80-64	102	5	152,4	94	91	183	17.420K-80-64	95	143
17.420-56-96	152	3 1/2	114,3	142	212	340	17.420K-56-96	205	285
17.420-64-96	152	4	127,0	142	210	338	17.420K-64-96	202	282
17.420-80-96	152	5	152,4	142	82	210	17.420K-80-96	92	172

Suction and low-pressure fittings SFL 45°

Updated at:
24.05.2022

Connection

SAE flange 3000PSI (L series)

Standard

ISO 6162-1

Application

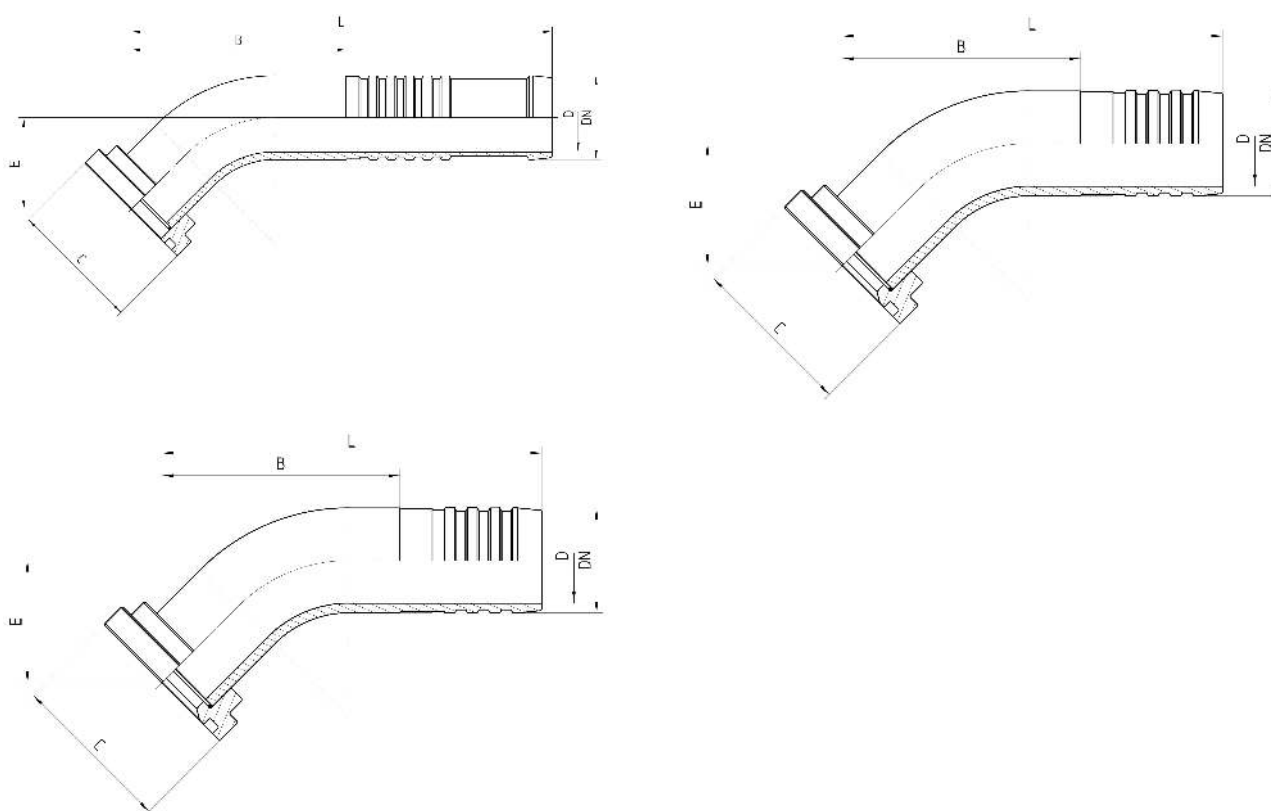
14A / 17A flexible tubes

Material

Steel

Surface protection

Zinc-electroplated



Order no.	DN in mm	flange in inch	C in mm	D in mm	E±3 in mm	B±3 in mm	L±3 in mm	Order-No.	B±3 in mm	L±3 in mm
17.450-08-12	19	1/2	30,2	14	26	60	140	17.450K-08-12	56	100
17.450-12-12	19	3/4	38,1	14	26	60	140	17.450K-12-12	56	100
17.450-16-12	19	1	44,4	14	26	60	140	17.450K-16-12	56	100
17.450-20-12	19	1 1/4	50,8	14	25	60	140	17.450K-20-12	56	100
17.450-12-16	25	3/4	38,1	19	31	65	145	17.450K-12-16	61	105
17.450-16-16	25	1	44,4	19	31	65	145	17.450K-16-16	61	105
17.450-20-16	25	1 1/4	50,8	19	30	64	144	17.450K-20-16	60	104
17.450-24-16	25	1 1/2	60,3	19	32	66	146	17.450K-24-16	62	106
17.450-12-20	31	3/4	38,1	26	57	105	185	17.450K-12-20	101	145

Order no.	DN in mm	flange in inch	C in mm	D in mm	E±3 in mm	B±3 in mm	L±3 in mm	Order-No.	B±3 in mm	L±3 in mm
17.450-16-20	31	1	44,4	26	36	85	165	17.450K-16-20	81	125
17.450-20-20	31	1 1/4	50,8	26	36	77	157	17.450K-20-20	81	125
17.450-24-20	31	1 1/2	60,3	26	37	85	165	17.450K-24-20	81	125
17.450-32-20	31	2	71,4	26	58	106	186	17.450K-32-20	102	146
17.450-16-24	38	1	44,4	32	52	115	195	17.450K-16-24	91	135
17.450-20-24	38	1 1/4	50,8	32	52	117	197	17.450K-20-24	101	145
17.450-24-24	38	1 1/2	60,3	32	41	103	183	17.450K-24-24	91	135
17.450-32-24	38	2	71,4	32	61	122	202	17.450K-32-24	116	160
17.450-40-24	38	2 1/2	84,1	32	61	122	202	17.450K-40-24	101	145
17.450-20-32	51	1 1/4	50,8	44	70	145	237	17.450K-20-32	127	172
17.450-24-32	51	1 1/2	60,3	44	58	132	224	17.450K-24-32	123	168
17.450-32-32	51	2	71,4	44	55	131	223	17.450K-32-32	115	160
17.450-40-32	51	2 1/2	84,1	44	58	132	224	17.450K-40-32	123	168
17.450-48-32	51	3	101,6	44	75	151	243	17.450K-48-32	132	177
17.450-24-36	60	1 1/2	60,3	53	56	101	193	17.450K-24-36	108	153
17.450-32-36	60	2	71,4	53	45	86	178	17.450K-32-36	96	141
17.450-40-36	60	2 1/2	84,1	53	45	89	181	17.450K-40-36	96	141
17.450-48-36	60	3	101,6	53	53	97	189	17.450K-48-36	104	149
17.450-56-36	60	3 1/2	114,3	53	61	105	197	17.450K-56-36	112	157
17.450-32-48	76	2	71,4	69	74	142	234	17.450K-32-48	147	192
17.450-40-48	76	2 1/2	84,1	69	55	117	209	17.450K-40-48	124	169
17.450-48-48	76	3	101,6	69	53	121	213	17.450K-48-48	128	173
17.450-56-48	76	3 1/2	114,3	69	74	140	232	17.450K-56-48	147	192
17.450-64-48	76	4	127,0	69	87	146	238	17.450K-64-48	153	198
17.450-40-56	90	2 1/2	84,1	82	75	150	242	17.450K-40-56	157	202
17.450-48-56	90	3	101,6	82	70	145	237	17.450K-48-56	152	197
17.450-56-56	90	3 1/2	114,3	82	49	124	216	17.450K-56-56	128	173
17.450-64-56	90	4	127,0	82	67	136	228	17.450K-64-56	143	188
17.450-80-56	90	5	152,4	82	86	195	287	17.450K-80-56	202	247
17.450-48-64	102	3	101,6	94	87	168	260	17.450K-48-64	172	220
17.450-56-64	102	3 1/2	114,3	94	73	157	249	17.450K-56-64	161	209
17.450-64-64	102	4	127,0	94	55	139	231	17.450K-64-64	143	191
17.450-80-64	102	5	152,4	94	86	178	270	17.450K-80-64	182	230
17.450-56-96	152	3 1/2	114,3	142	94	205	333	17.450K-56-96	213	293
17.450-64-96	152	4	127,0	142	96	207	335	17.450K-64-96	215	295
17.450-80-96	152	5	152,4	142	92	243	371	17.450K-80-96	251	175

Suction and low-pressure fittings

SFL 90°

Updated at:
24.05.2022

Connection

SAE flange 3000PSI (L series)

Standard

ISO 6162-1

Application

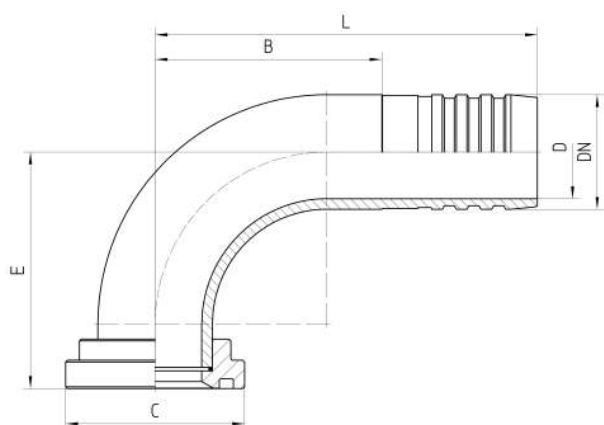
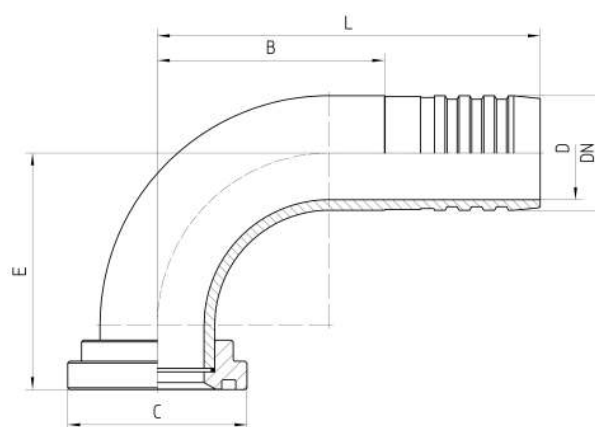
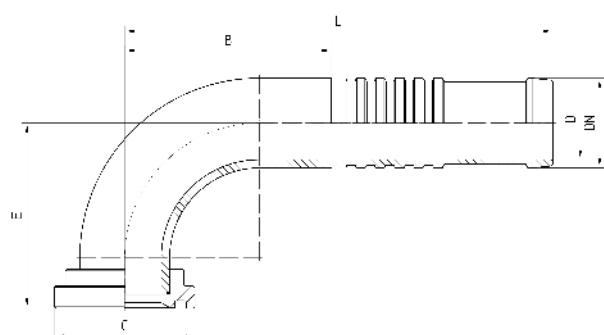
14A / 17A flexible tubes

Material

Steel

Surface protection

Zinc-electroplated



Order no.	DN in mm	flange in inch	C in mm	D in mm	E±3 in mm	B±3 in mm	L±3 in mm	Order-No.	B±3 in mm	L±3 in mm
17.470-08-12	19	1/2	30,2	14	57	47	127	17.470K-08-12	50	94
17.470-12-12	19	3/4	38,1	14	57	47	127	17.470K-12-12	50	94
17.470-16-12	19	1	44,4	14	57	47	127	17.470K-16-12	50	94
17.470-20-12	19	1 1/4	50,8	14	57	47	127	17.470K-20-12	50	94
17.470-12-16	25	3/4	38,1	19	63	59	139	17.470K-12-16	56	100
17.470-16-16	25	1	44,4	19	57	59	139	17.470K-16-16	56	100
17.470-20-16	25	1 1/4	50,8	19	54	59	139	17.470K-20-16	56	100

Order no.	DN in mm	flange in inch	C in mm	D in mm	E±3 in mm	B±3 in mm	L±3 in mm	Order-No.	B±3 in mm	L±3 in mm
17.470-24-16	25	1 1/2	60,3	19	58	59	139	17.470K-24-16	56	100
17.470-12-20	31	3/4	38,1	26	90	75	155	17.470K-12-20	62	106
17.470-16-20	31	1	44,4	26	72	75	155	17.470K-16-20	62	106
17.470-20-20	31	1 1/4	50,8	26	67	75	155	17.470K-20-20	62	106
17.470-24-20	31	1 1/2	60,3	26	68	75	155	17.470K-24-20	62	106
17.470-32-20	31	2	71,4	26	96	75	155	17.470K-32-20	62	106
17.470-16-24	38	1	44,4	32	87	90	170	17.470K-16-24	71	115
17.470-20-24	38	1 1/4	50,8	32	87	90	170	17.470K-20-24	71	115
17.470-24-24	38	1 1/2	60,3	32	78	90	170	17.470K-24-24	71	115
17.470-32-24	38	2	71,4	32	95	90	170	17.470K-32-24	71	115
17.470-40-24	38	2 1/2	84,1	32	118	90	170	17.470K-40-24	71	115
17.470-20-32	51	1 1/4	50,8	44	117	128	220	17.470K-20-32	121	166
17.470-24-32	51	1 1/2	60,3	44	117	128	220	17.470K-24-32	121	166
17.470-32-32	51	2	71,4	44	117	128	220	17.470K-32-32	121	166
17.470-40-32	51	2 1/2	84,1	44	108	128	220	17.470K-40-32	121	166
17.470-48-32	51	3	101,6	44	110	128	220	17.470K-48-32	121	166
17.470-24-36	60	1 1/2	60,3	53	127	89	181	17.470K-24-36	96	141
17.470-32-36	60	2	71,4	53	108	89	181	17.470K-32-36	96	141
17.470-40-36	60	2 1/2	84,1	53	110	89	181	17.470K-40-36	96	141
17.470-48-36	60	3	101,6	53	120	89	181	17.470K-48-36	96	141
17.470-56-36	60	3 1/2	114,3	53	145	89	181	17.470K-56-36	96	141
17.470-32-48	76	2	71,4	69	160	123	215	17.470K-32-48	130	175
17.470-40-48	76	2 1/2	84,1	69	130	123	215	17.470K-40-48	130	175
17.470-48-48	76	3	101,6	69	130	123	215	17.470K-48-48	130	175
17.470-56-48	76	3 1/2	114,3	69	160	162	254	17.470K-56-48	149	194
17.470-64-48	76	4	127,0	69	160	163	255	17.470K-64-48	150	195
17.470-40-56	90	2 1/2	84,1	82	175	142	234	17.470K-40-56	149	194
17.470-48-56	90	3	101,6	82	165	142	234	17.470K-48-56	149	194
17.470-56-56	90	3 1/2	114,3	82	136	142	234	17.470K-56-56	149	194
17.470-64-56	90	4	127,0	82	160	142	234	17.470K-64-56	149	194
17.470-80-56	90	5	152,4	82	204	142	234	17.470K-80-56	149	194
17.470-48-64	102	3	101,6	94	200	161	253	17.470K-48-64	165	213
17.470-56-64	102	3 1/2	114,3	94	186	161	253	17.470K-56-64	165	213
17.470-64-64	102	4	127,0	94	160	161	253	17.470K-64-64	165	213
17.470-80-64	102	5	152,4	94	204	161	253	17.470K-80-64	165	213
17.470-56-96	152	3 1/2	114,3	142	265	222	350	17.470K-56-96	230	310
17.470-64-96	152	4	127,0	142	200	316	444	17.470K-64-96	230	310
17.470-80-96	152	5	152,4	142	243	222	350	17.470K-80-96	230	310

Suction and low-pressure fittings fixed DIN flange straight

Updated at:
24.05.2022

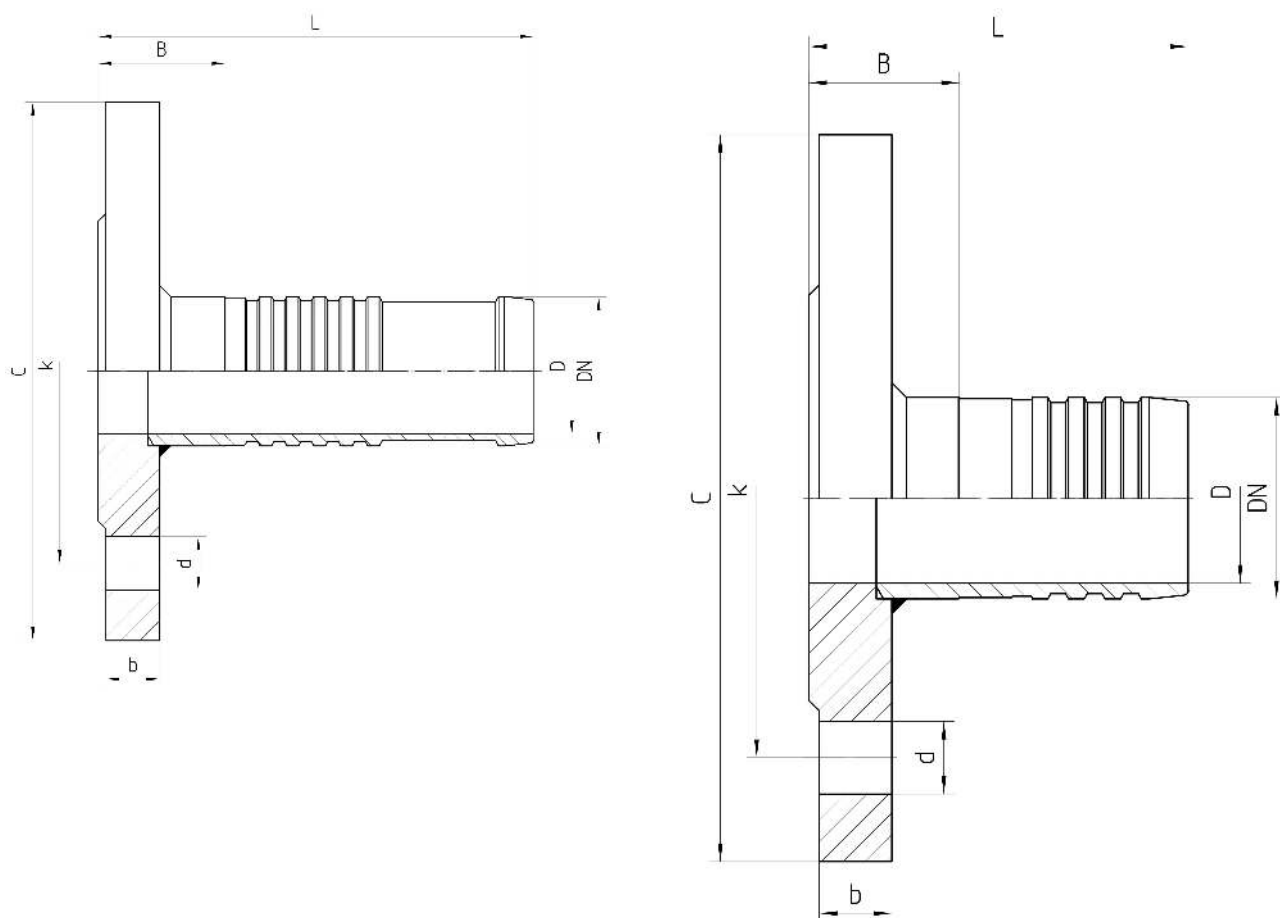
Connection
DIN flange fixed

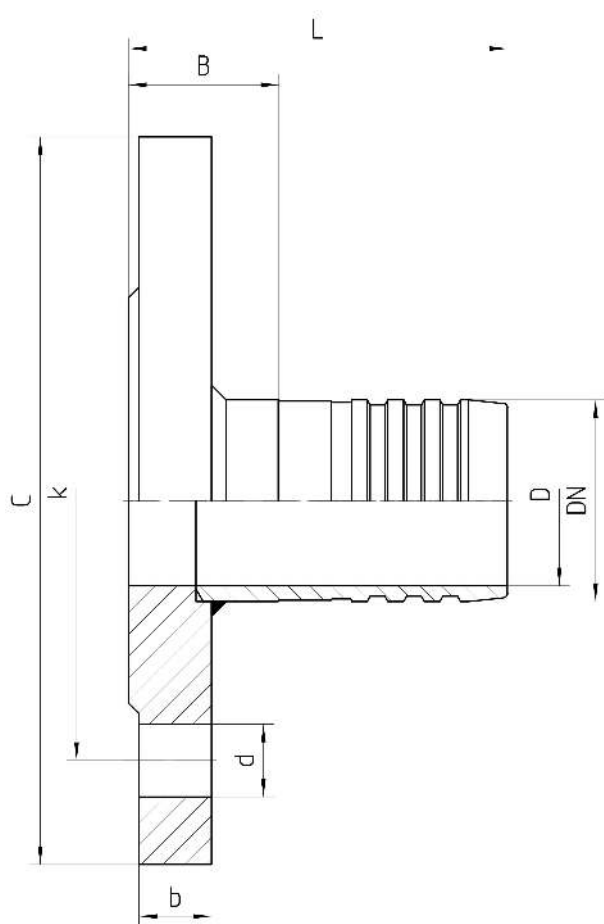
Standard
DIN 2633/2527 (new: EN1092-1, Typ 11 PN16 and Typ 05 PN16)

Application
14A / 17A flexible tubes

Material
Steel

Surface protection
Zinc-electroplated





SUCTION AND LOW-
PRESSURE FITTINGS

Order no.	DN in mm	DN DIN-Flange	C in mm	b in mm	k in mm	number of screws	screws T	d in mm	D in mm	B±3 mm	L±3 mm	Order No.	B±3 mm	L±3 mm
17.424-12	19	20	105	16 (18)	75	4	M12	14	14	33 (35)	113 (115)	17.424K-1	29 (31)	73 (75)
17.424-16	19	25	115	16 (18)	85	4	M12	14	14	34 (36)	114 (116)	17.424K-1	30 (32)	74 (76)
17.424-12	25	20	105	16 (18)	75	4	M12	14	19	33 (35)	113 (115)	17.424K-1	29 (31)	73 (75)
17.424-16	25	25	115	16 (18)	85	4	M12	14	19	34 (36)	114 (116)	17.424K-1	30 (32)	74 (76)
17.424-20	25	32	140	16 (18)	100	4	M16	18	19	33 (35)	113 (115)	17.424K-2	29 (31)	73 (75)
17.424-12	31	20	105	16 (18)	75	4	M12	14	26	33 (35)	113 (115)	17.424K-1	29 (31)	73 (75)
17.424-16	31	25	115	16 (18)	85	4	M12	14	26	34 (36)	114 (116)	17.424K-1	30 (32)	74 (76)
17.424-20	31	32	140	16 (18)	100	4	M16	18	26	33 (35)	113 (115)	17.424K-2	29 (31)	73 (75)
17.424-24	31	40	150	16 (18)	110	4	M16	18	26	34 (36)	114 (116)	17.424K-2	30 (32)	74 (76)
17.424-12	38	20	105	16 (18)	75	4	M12	14	32	33 (35)	113 (115)	17.424K-1	29 (31)	73 (75)
17.424-16	38	25	115	16 (18)	85	4	M12	14	32	34 (36)	114 (116)	17.424K-1	30 (32)	74 (76)
17.424-20	38	32	140	16 (18)	100	4	M16	18	32	33 (35)	113 (115)	17.424K-2	34 (36)	73 (75)

Order no.	DN in mm	DN DIN-Flange	C in mm	b in mm	k in mm	number of screws	screws T	d in mm	D in mm	B±3 mm	L±3 mm	Order No.	B±3 mm	L±3 mm
17.424-24	38	40	150	16 (18)	110	4	M16	18	32	34 (36)	114 (116)	17.424K-2	30 (32)	74 (76)
17.424-32	38	50	165	18	125	4	M16	18	32	55	135	17.424K-3	31	75
17.424-16	51	25	115	16 (18)	85	4	M12	14	44	45 (47)	137 (139)	17.424K-1	52 (54)	97 (99)
17.424-20	51	32	140	16 (18)	100	4	M16	18	44	31 (33)	123 (125)	17.424K-2	38 (40)	83 (85)
17.424-24	51	40	150	16 (18)	110	4	M16	18	44	32 (34)	124 (126)	17.424K-2	39 (41)	84 (86)
17.424-32	51	50	165	18	125	4	M16	18	44	33	125	17.424K-3	35	80
17.424-40	51	65	185	18	145	4 (8)	M16	18	44	34	126	17.424K-4	41	86
17.424-16	60	25	115	16 (18)	85	4	M12	14	53	82 (84)	174 (176)	17.424K-1	89 (91)	134 (136)
17.424-20	60	32	140	16 (18)	100	4	M16	18	53	44 (46)	136 (138)	17.424K-2	51 (53)	96 (98)
17.424-24	60	40	150	16 (18)	110	4	M16	18	53	42 (44)	134 (136)	17.424K-2	49 (51)	94 (96)
17.424-32	60	50	165	18	125	4	M16	18	53	43	135	17.424K-3	50	95
17.424-40	60	65	185	18	145	4 (8)	M16	18	53	44	136	17.424K-4	51	96
17.424-48	60	80	200	20	160	8	M16	18	53	45	137	17.424K-4	52	97
17.424-20	76	32	140	16 (18)	100	4	M16	18	69	81 (83)	173 (175)	17.424K-2	88 (90)	133 (135)
17.424-24	76	40	150	16 (18)	110	4	M16	18	69	70 (72)	162 (164)	17.424K-2	77 (79)	122 (124)
17.424-32	76	50	165	18	125	4	M16	18	69	66	158	17.424K-3	63	108
17.424-40	76	65	185	18	145	4 (8)	M16	18	69	53	145	17.424K-4	60	105
17.424-48	76	80	200	20	160	8	M16	18	69	55	147	17.424K-4	62	107
17.424-64	76	100	220	20	180	8	M16	18	69	64	156	17.424K-6	62	107
17.424-24	90	40	150	16 (18)	110	4	M16	18	82	77 (79)	169 (171)	17.424K-2	84 (86)	129 (131)
17.424-32	90	50	165	18	125	4	M16	18	82	56	148	17.424K-3	63	108
17.424-40	90	65	185	18	145	4 (8)	M16	18	82	56	148	17.424K-4	63	108
17.424-48	90	80	200	20	160	8	M16	18	82	55	147	17.424K-4	62	107
17.424-64	90	100	220	20	180	8	M16	18	82	57	149	17.424K-6	64	109
17.424-32	102	50	165	18	125	4	M16	18	94	134	226	17.424K-3	87	135
17.424-40	102	65	185	18	145	4 (8)	M16	18	94	66	158	17.424K-4	70	118
17.424-48	102	80	200	20	160	8	M16	18	94	45	137	17.424K-4	49	97
17.424-64	102	100	220	20	180	8	M16	18	94	67	159	17.424K-6	71	119
17.424-80	102	125	250	22	210	8	M16	18	94	67	159	17.424K-8	71	119
17.424-64	152	100	220	20	180	8	M16	18	142	182	310	17.424K-6	109	189
17.424-80	152	125	250	22	210	8	M16	18	142	54	182	17.424K-8	62	142
17.424-96	152	150	285	22	240	8	M20	22	142	54	182	17.424K-9	62	142
17.424-12	152	200	340	24	295	12	M20	22	142	56	184	17.424K-1	64	144

Note
 deviating measurements when En flanges are used

Suction and low-pressure fittings fixed DIN flange 45°

Updated at:
24.05.2022

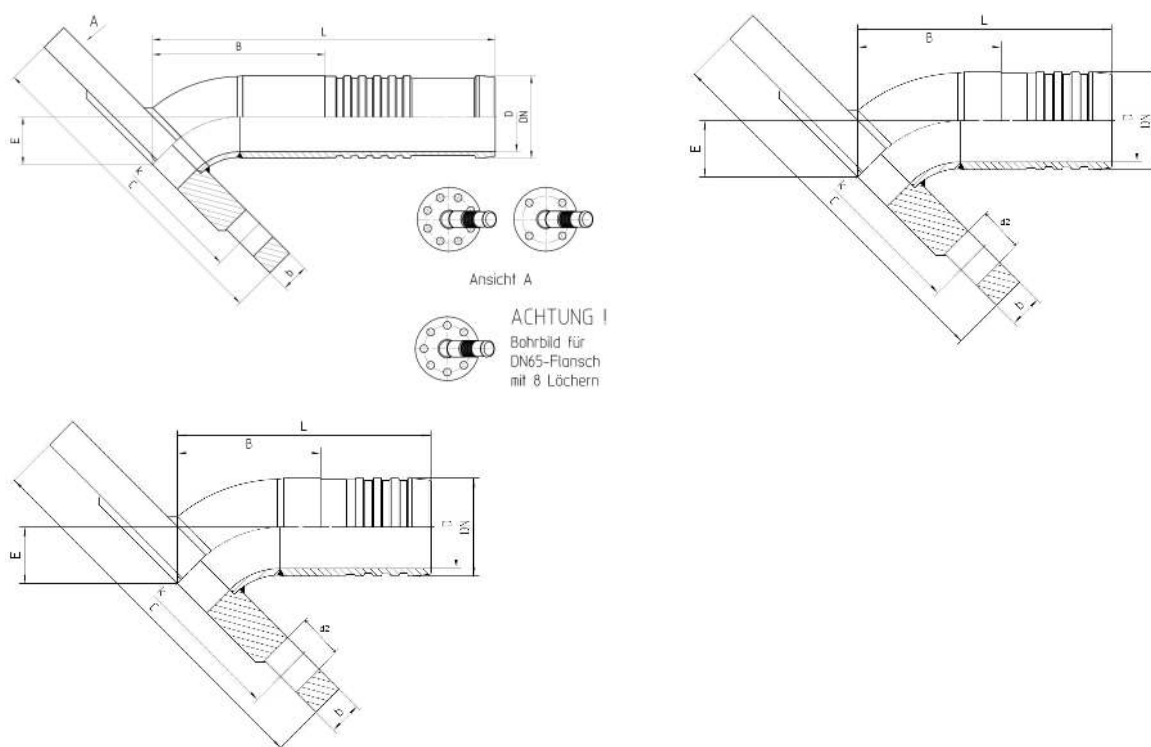
Connection
DIN flange fixed

Standard
DIN 2633/2527 (new: EN1092-1, Typ 11 PN16 and Typ 05 PN16)

Application
14A / 17A flexible tubes

Material
Steel

Surface protection
Zinc-electroplated



SUCTION AND LOW-PRESSURE FITTINGS

Order no.	DN in mm	DN DIN-Flange	C in mm	b in mm	k in mm	number of screws	screws T	d in mm	D in mm	E±3 mm	B±3 mm	L±3 mm	Order No.	B±3 mm	L±3 mm
17.425-12	19	20	105	16 (18)	75	4	M12	14	14	20 (21)	112 (113)	192 (193)	17.425K-1	108 (109)	152 (153)
17.425-16	19	25	115	16 (18)	85	4	M12	14	14	20 (21)	112 (113)	192 (193)	17.425K-1	108 (109)	152 (153)
17.425-12	25	20	105	16 (18)	75	4	M12	14	19	22 (23)	122 (123)	202 (203)	17.425K-1	118 (119)	162 (163)
17.425-16	25	25	115	16 (18)	85	4	M12	14	19	22 (23)	122 (123)	202 (203)	17.425K-1	118 (119)	162 (163)
17.425-20	25	32	140	16 (18)	100	4	M16	18	19	22 (23)	132 (133)	212 (213)	17.425K-2	128 (129)	172 (173)
17.425-12	31	20	105	16 (18)	75	4	M12	14	26	22 (23)	76 (77)	156 (157)	17.425K-1	72 (73)	116 (117)
17.425-16	31	25	115	16 (18)	85	4	M12	14	26	22 (23)	76 (77)	156 (157)	17.425K-1	72 (73)	116 (117)

Order no.	DN in mm	DN DIN-Flange	C in mm	b in mm	k in mm	number of screws	screws T	d in mm	D in mm	E±3 mm	B±3 mm	L±3 mm	Order No.	B±3 mm	L±3 mm
17.425-20	31	32	140	16 (18)	100	4	M16	18	26	22 (23)	86 (87)	166 (167)	17.425K-2	82 (83)	126 (127)
17.425-24	31	40	150	16 (18)	110	4	M16	18	26	27 (28)	87 (88)	167 (168)	17.425K-2	83 (84)	127 (128)
17.425-12	38	20	105	16 (18)	75	4	M12	14	32	22 (23)	74 (75)	154 (155)	17.425K-1	70 (71)	114 (115)
17.425-16	38	25	115	16 (18)	85	4	M12	14	32	22 (23)	74 (75)	154 (155)	17.425K-1	70 (71)	114 (115)
17.425-20	38	32	140	16 (18)	100	4	M16	18	32	22 (23)	86 (87)	166 (167)	17.425K-2	81 (83)	126 (127)
17.425-24	38	40	150	16 (18)	110	4	M16	18	32	22 (23)	83 (84)	163 (164)	17.425K-2	83 (84)	127 (128)
17.425-32	38	50	165	18	125	4	M16	18	32	34	103	183	17.425K-3	99	143
17.425-16	51	25	115	16 (18)	85	4	M12	14	44	22 (23)	74 (75)	166 (167)	17.425K-1	81 (82)	126 (127)
17.425-20	51	32	140	16 (18)	100	4	M16	18	44	27 (28)	69 (70)	161(162)	17.425K-2	76 (77)	121 (122)
17.425-24	51	40	150	16 (18)	110	4	M16	18	44	27 (28)	69 (70)	161(162)	17.425K-2	76 (77)	121 (122)
17.425-32	51	50	165	18	125	4	M16	18	44	34	93	185	17.425K-3	100	145
17.425-40	51	65	185	18	145	4 (8)	M16	18	44	37	103	195	17.425K-4	110	155
17.425-16	60	25	115	16 (18)	85	4	M12	14	53	22 (23)	77 (78)	169 (170)	17.425K-1	84 (85)	129 (130)
17.425-20	60	32	140	16 (18)	100	4	M16	18	53	27 (28)	81 (82)	173 (174)	17.425K-2	88 (89)	133 (134)
17.425-24	60	40	150	16 (18)	110	4	M16	18	53	34 (35)	93 (94)	185 (186)	17.425K-2	89 (90)	134 (135)
17.425-32	60	50	165	18	125	4	M16	18	53	34	93	185	17.425K-3	100	145
17.425-40	60	65	185	18	145	4 (8)	M16	18	53	37	100	192	17.425K-4	107	152
17.425-48	60	80	200	20	160	8	M16	18	53	50	118	210	17.425K-4	125	170
17.425-20	76	32	140	16 (18)	100	4	M16	18	69	27 (28)	106 (107)	198 (199)	17.425K-2	113 (114)	158 (159)
17.425-24	76	40	150	16 (18)	110	4	M16	18	69	34 (35)	116 (117)	208 (209)	17.425K-2	123 (124)	168 (169)
17.425-32	76	50	165	18	125	4	M16	18	69	37	120	212	17.425K-3	127	172
17.425-40	76	65	185	18	145	4 (8)	M16	18	69	50	105	197	17.425K-4	112	157
17.425-48	76	80	200	20	160	8	M16	18	69	37	105	197	17.425K-4	112	157
17.425-64	76	100	220	20	180	8	M16	18	69	58	121	213	17.425K-6	128	173
17.425-24	90	40	150	16 (18)	110	4	M16	18	82	37 (38)	125 (126)	217 (218)	17.425K-2	132 (131)	177 (176)
17.425-32	90	50	165	18	125	4	M16	18	82	50	123	215	17.425K-3	130	175
17.425-40	90	65	185	18	145	4 (8)	M16	18	82	50	123	215	17.425K-4	130	175
17.425-48	90	80	200	20	160	8	M16	18	82	45	118	210	17.425K-4	138	183
17.425-64	90	100	220	20	180	8	M16	18	82	69	152	244	17.425K-6	160	205
17.425-32	102	50	165	18	125	4	M16	18	94	50	145	237	17.425K-3	149	197
17.425-40	102	65	185	18	145	4 (8)	M16	18	94	50	145	237	17.425K-4	149	197
17.425-48	102	80	200	20	160	8	M16	18	94	60	119	211	17.425K-4	123	171
17.425-64	102	100	220	20	180	8	M16	18	94	48	134	226	17.425K-6	149	197

Order no.	DN in mm	DN DIN-Flange	C in mm	b in mm	k in mm	number of screws	screws T	d in mm	D in mm	E±3 mm	B±3 mm	L±3 mm	Order No.	B±3 mm	L±3 mm
17.425-80	102	125	250	22	210	8	M16	18	94	69	175	267	17.425K-8	179	227
17.425-64	152	100	220	20	180	8	M16	18	142	56	280	408	17.425K-6	167	247
17.425-80	152	125	250	22	210	8	M16	18	142	72	197	325	17.425K-8	188	268
17.425-96	152	150	285	22	240	8	M20	22	142	78	197	325	17.425K-9	160	240
17.425-125	152	200	340	24	295	12	M20	22	142	97	182	310	17.425K-1	190	270

Note

deviating measurements when En flanges are used

Suction and low-pressure fittings fixed DIN flange 90°

Updated at:
24.05.2022

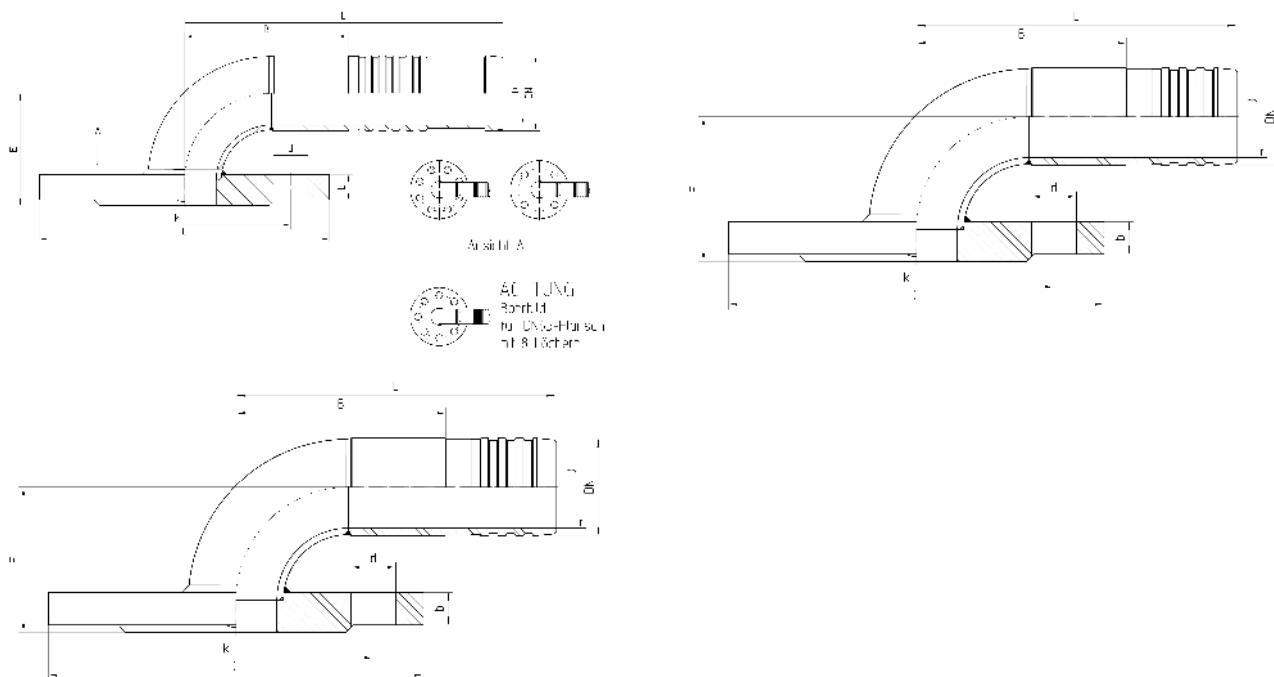
Connection
DIN flange fixed

Standard
DIN 2633/2527 (new: EN1092-1, Typ 11 PN16 and Typ 05 PN16)

Application
14A / 17A flexible tubes

Material
Steel

Surface protection
Zinc-electroplated



Order no.	DN in mm	DN DIN-Flange	C in mm	b in mm (18)	k in mm	number of screws	screws T	d in mm	D in mm	E±3 mm	B±3 in mm	L±3 in mm	Order No.	B±3 in mm	L±3 in mm
17.429-12	19	20	105	16 (18)	75	4	M12	14	14	51 (53)	80	160	17.429K-1	76	120
17.429-16	19	25	115	16 (18)	85	4	M12	14	14	51 (53)	90	170	17.429K-1	86	130
17.429-12	25	20	105	16 (18)	75	4	M12	14	19	51 (53)	59	139	17.429K-1	71	115
17.429-16	25	25	115	16 (18)	85	4	M12	14	19	51 (53)	59	139	17.429K-1	81	125
17.429-20	25	32	140	16 (18)	100	4	M16	18	19	50 (52)	59	139	17.429K-2	81	125
17.429-12	31	20	105	16 (18)	75	4	M12	14	26	51 (53)	75	155	17.429K-1	71	115
17.429-16	31	25	115	16 (18)	85	4	M12	14	26	51 (53)	75	155	17.429K-1	71	115
17.429-20	31	32	140	16 (18)	100	4	M16	18	26	60 (62)	95	175	17.429K-2	81	125

Order no.	DN in mm	DN DIN-Flange	C in mm	b in mm	k in mm	number of screws	screws T	d in mm	D in mm	E±3 mm	B±3 in mm	L±3 in mm	Order No.	B±3 in mm	L±3 in mm
17.429-24	31	40	150	16 (18)	110	4	M16	18	26	62 (64)	95	175	17.429K-2	91	135
17.429-12	38	20	105	16 (18)	75	4	M12	14	32	51 (53)	75	155	17.429K-1	71	115
17.429-16	38	25	115	16 (18)	85	4	M12	14	32	51 (53)	75	155	17.429K-1	71	115
17.429-20	38	32	140	16 (18)	100	4	M16	18	32	60 (62)	85	165	17.429K-2	81	125
17.429-24	38	40	150	16 (18)	110	4	M16	18	32	62 (64)	85	165	17.429K-2	81	125
17.429-32	38	50	165	18	125	4	M16	18	32	69	101	181	17.429K-3	97	141
17.429-16	51	25	115	16 (18)	85	4	M12	14	44	61 (63)	83	175	17.429K-1	90	135
17.429-20	51	32	140	16 (18)	100	4	M16	18	44	67 (69)	89	181	17.429K-2	96	141
17.429-24	51	40	150	16 (18)	110	4	M16	18	44	80 (82)	91	183	17.429K-2	98	143
17.429-32	51	50	165	18	125	4	M16	18	44	82	91	183	17.429K-3	98	143
17.429-40	51	65	185	18	145	4 (8)	M16	18	44	94	104	196	17.429K-4	111	156
17.429-16	60	25	115	16 (18)	85	4	M12	14	53	68 (70)	86	178	17.429K-1	93	138
17.429-20	60	32	140	16 (18)	100	4	M16	18	53	80 (82)	90	182	17.429K-2	97	142
17.429-24	60	40	150	16 (18)	110	4	M16	18	53	82 (84)	90	182	17.429K-2	97	142
17.429-32	60	50	165	18	125	4	M16	18	53	94	104	196	17.429K-3	96	141
17.429-40	60	65	185	18	145	4 (8)	M16	18	53	95	104	196	17.429K-4	111	156
17.429-48	60	80	200	20	160	8	M16	18	53	145	123	215	17.429K-4	130	175
17.429-20	76	32	140	16 (18)	100	4	M16	18	69	80 (82)	121	213	17.429K-2	128	173
17.429-24	76	40	150	16 (18)	110	4	M16	18	69	82 (84)	121	213	17.429K-2	128	173
17.429-32	76	50	165	18	125	4	M16	18	69	94	124	216	17.429K-3	111	156
17.429-40	76	65	185	18	145	4 (8)	M16	18	69	113	123	215	17.429K-4	130	175
17.429-48	76	80	200	20	160	8	M16	18	69	145	123	215	17.429K-4	130	175
17.429-64	76	100	220	20	180	8	M16	18	69	133	162	254	17.429K-6	148	193
17.429-24	90	40	150	16 (18)	110	4	M16	18	82	123 (125)	139	231	17.429K-2	146	191
17.429-32	90	50	165	18	125	4	M16	18	82	118	125	217	17.429K-3	140	185
17.429-40	90	65	185	18	145	4 (8)	M16	18	82	114	133	225	17.429K-4	140	185
17.429-48	90	80	200	20	160	8	M16	18	82	135	143	235	17.429K-4	150	195
17.429-64	90	100	220	20	180	8	M16	18	82	137	143	235	17.429K-6	160	205
17.429-32	102	50	165	18	125	4	M16	18	94	113	163	255	17.429K-3	167	215
17.429-40	102	65	185	18	145	4 (8)	M16	18	94	138	163	255	17.429K-4	167	215
17.429-48	102	80	200	20	160	8	M16	18	94	154	162	254	17.429K-4	166	214
17.429-64	102	100	220	20	180	8	M16	18	94	155	162	254	17.429K-6	166	214
17.429-80	102	125	250	22	210	8	M16	18	94	155	162	254	17.429K-8	166	214

Order no.	DN in mm	DN DIN-Flange	C in mm	b in mm	k in mm	number of screws	screws T	d in mm	D in mm	E±3 mm	B±3 in mm	L±3 in mm	Order No.	B±3 in mm	L±3 in mm
17.429-64	152	100	220	20	180	8	M16	18	142	208	262	390	17.429K-6	191	271
17.429-80	152	125	250	22	210	8	M16	18	142	212	225	353	17.429K-8	233	313
17.429-96	152	150	285	22	240	8	M20	22	142	238	249	377	17.429K-9	244	324
17.429-125	152	200	340	24	295	12	M20	22	142	240	248	376	17.429K-1	246	326

Note

deviating measurements when En flanges are used

Suction and low-pressure fittings loose DIN flange straight

Updated at:
24.05.2022

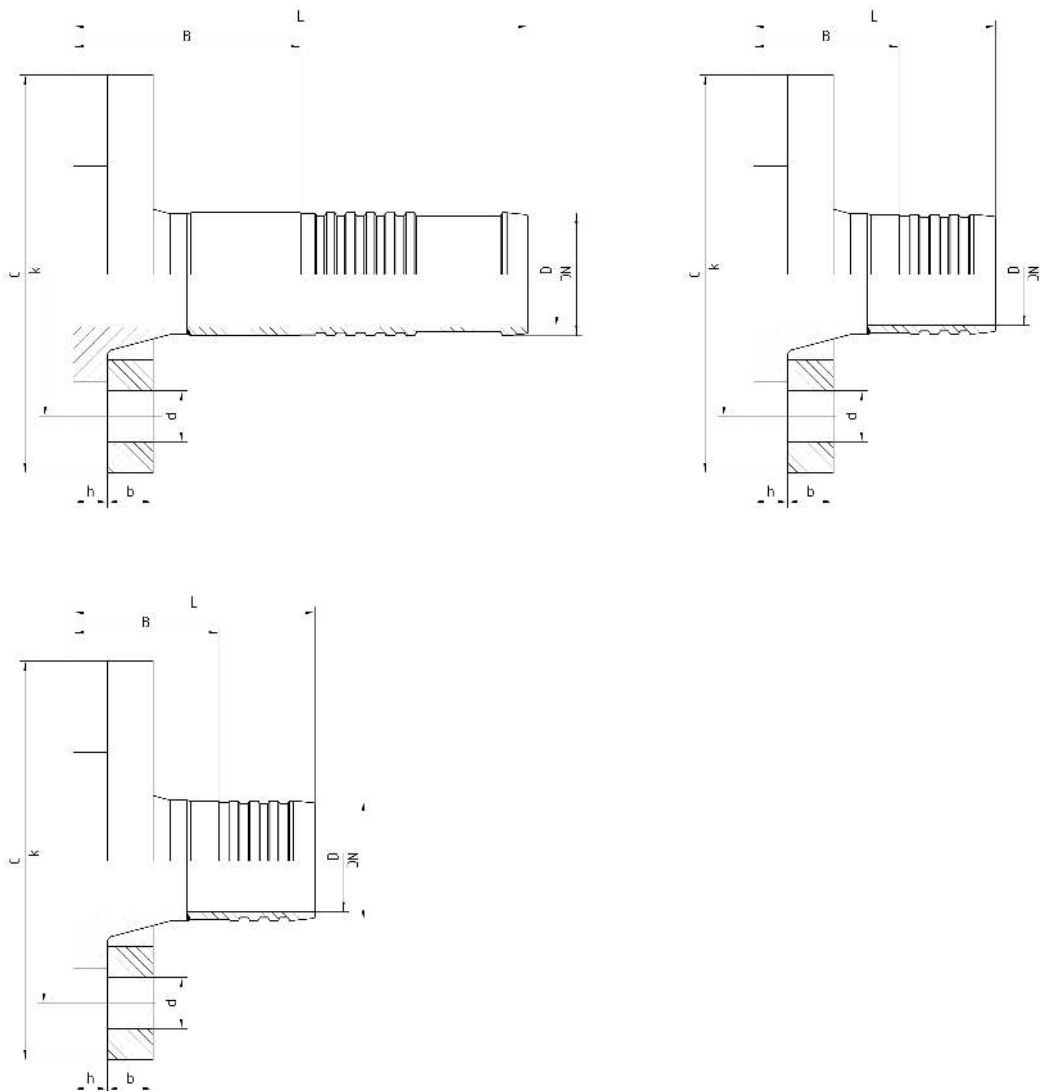
Connection
loose DIN flange

Standard
DIN 2673 (new: EN1092-1, Typ 04 PN16 and Typ 34 PN16)

Application
14A / 17A flexible tubes

Material
Steel

Surface protection
Zinc-electroplated



SUCTION AND LOW-
PRESSURE FITTINGS

Order no.	DN in mm	DN DIN-Flange	C in mm	b in mm	k in mm	number of screws	screws T	d in mm	h in mm	D in mm	B±3 in mm	L±3 in mm	Order No.	B±3 in mm	L±3 in mm
17.434-12	19	20	105	14 (16)	75	4	M12	14	12 (14)	14	60	140	17.434K-1	56	100
17.434-16	19	25	115	16	85	4	M12	14	12 (14)	14	90	170	17.434K-1	86	130
17.434-12	25	20	105	14 (16)	75	4	M12	14	12 (14)	19	60	140	17.434K-1	56	100
17.434-16	25	25	115	16	85	4	M12	14	12 (14)	19	60	140	17.434K-1	56	100
17.434-20	25	32	140	16 (18)	100	4	M16	18	12 (14)	19	60 (62)	140 (142)	17.434K-2	56 (58)	100 (102)
17.434-12	31	20	105	14 (16)	75	4	M12	14	12 (14)	26	60	140	17.434K-1	56	100
17.434-16	31	25	115	16	85	4	M12	14	12 (14)	26	60	140	17.434K-1	56	100
17.434-20	31	32	140	16 (18)	100	4	M16	18	12 (14)	26	60 (62)	140 (142)	17.434K-2	56 (58)	100 (102)
17.434-24	31	40	150	16 (18)	110	4	M16	18	12 (14)	26	60 (65)	140 (145)	17.434K-2	56 (61)	100 (105)
17.434-12	38	20	105	14 (16)	75	4	M12	14	12 (14)	32	90	170	17.434K-1	86	130
17.434-16	38	25	115	16	85	4	M12	14	12 (14)	32	90	170	17.434K-1	86	130
17.434-20	38	32	140	16 (18)	100	4	M16	18	12 (14)	32	60 (62)	140 (142)	17.434K-2	56 (58)	100 (102)
17.434-24	38	40	150	16 (18)	110	4	M16	18	12 (14)	32	60 (65)	140 (145)	17.434K-2	56 (61)	100 (105)
17.434-32	38	50	165	16 (20)	125	4	M16	18	14 (16)	32	80	160	17.434K-3	76	120
17.434-16	51	25	115	16	85	4	M12	14	12 (14)	44	98	190	17.434K-1	105	150
17.434-20	51	32	140	16 (18)	100	4	M16	18	12 (14)	44	68 (70)	160 (162)	17.434K-2	75 (77)	120 (122)
17.434-24	51	40	150	16 (18)	110	4	M16	18	12 (14)	44	53 (58)	145 (150)	17.434K-2	60 (65)	105 (110)
17.434-32	51	50	165	16 (20)	125	4	M16	18	14 (16)	44	63	155	17.434K-3	65	110
17.434-40	51	65	185	16 (20)	145	4 (8)	M16	18	14 (16)	44	68	160	17.434K-4	85	130
17.434-16	60	25	115	16	85	4	M12	14	12 (14)	53	93	185	17.434K-1	100	145
17.434-20	60	32	140	16 (18)	100	4	M16	18	12 (14)	53	78 (80)	170 (172)	17.434K-2	85 (87)	130 (132)
17.434-24	60	40	150	16 (18)	110	4	M16	18	12 (14)	53	68 (73)	160 (165)	17.434K-2	75 (80)	120 (125)
17.434-32	60	50	165	16 (20)	125	4	M16	18	14 (16)	53	58	150	17.434K-3	65	110
17.434-40	60	65	185	16 (20)	145	4 (8)	M16	18	14 (16)	53	73	165	17.434K-4	100	145
17.434-48	60	80	200	18 (20)	160	8	M16	18	16	53	78	170	17.434K-4	85	130
17.434-20	76	32	140	16 (18)	100	4	M16	18	12 (14)	69	98 (100)	190 (192)	17.434K-2	105 (107)	150 (152)
17.434-24	76	40	150	16 (18)	110	4	M16	18	12 (14)	69	98 (103)	190 (195)	17.434K-2	105 (110)	150 (155)
17.434-32	76	50	165	16 (20)	125	4	M16	18	14 (16)	69	73	165	17.434K-3	80	125
17.434-40	76	65	185	16 (20)	145	4 (8)	M16	18	14 (16)	69	73	165	17.434K-4	80	125

Order no.	DN in mm	DN DIN-Flange	C in mm	b in mm	k in mm	number of screws	screws T	d in mm	h in mm	D in mm	B±3 in mm	L±3 in mm	Order No.	B±3 in mm	L±3 in mm
17.434-48	76	80	200	18 (20)	160	8	M16	18	16	69	78	170	17.434K-4	85	130
17.434-64	76	100	220	18 (22)	180	8	M16	18	16 (18)	69	98 (100)	190 (192)	17.434K-6	105 (107)	150 (152)
17.434-24	90	40	150	16 (18)	110	4	M16	18	12 (14)	82	116 (121)	208 (213)	17.434K-2	123 (128)	168 (173)
17.434-32	90	50	165	16 (20)	125	4	M16	18	14 (16)	82	121	213	17.434K-3	128	173
17.434-40	90	65	185	16 (20)	145	4 (8)	M16	18	14 (16)	82	85	113	17.434K-4	90	135
17.434-48	90	80	200	18 (20)	160	8	M16	18	16	82	88	180	17.434K-4	95	140
17.434-64	90	100	220	18 (22)	180	8	M16	18	16 (18)	82	86 (88)	178 (180)	17.434K-6	93 (95)	138 (140)
17.434-32	102	50	165	16 (20)	125	4	M16	18	14 (16)	94	123	215	17.434K-3	127	175
17.434-40	102	65	185	16 (20)	145	4 (8)	M16	18	14 (16)	94	113	205	17.434K-4	117	165
17.434-48	102	80	200	18 (20)	160	8	M16	18	16	94	76	168	17.434K-4	80	128
17.434-64	102	100	220	18 (22)	180	8	M16	18	16 (18)	94	78 (80)	170 (172)	17.434K-6	82 (84)	130 (132)
17.434-80	102	125	250	18 (22)	210	8	M16	18	18	94	148 (153)	240 (245)	17.434K-8	152 (157)	200 (205)
17.434-64	152	100	220	18 (22)	180	8	M16	18	16 (18)	142	215 (217)	343 (345)	17.434K-6	115 (117)	195 (197)
17.434-80	152	125	250	18 (22)	210	8	M16	18	18	142	82 (87)	210 (215)	17.434K-8	90 (95)	170 (175)
17.434-96	152	150	285	18 (24)	240	8	M20	22	18 (20)	142	82 (87)	210 (215)	17.434K-8	77 (82)	157 (162)
17.434-120	152	200	340	20 (26)	295	12	M20	22	20	142	184 (191)	312 (319)	17.434K-12	110 (117)	190 (197)

Note

deviating measurements when En flanges are used

Suction and low-pressure fittings loose DIN flange 45°

Updated at:
24.05.2022

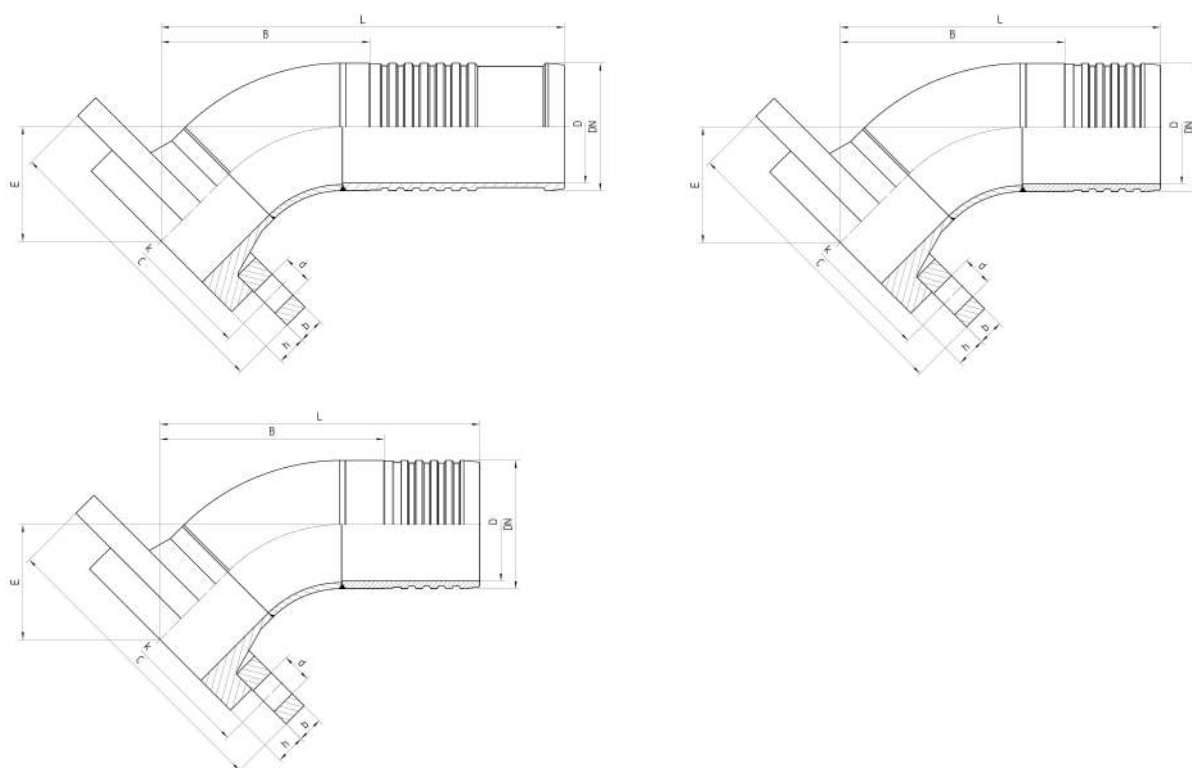
Connection
loose DIN flange

Standard
DIN 2673 (new: EN1092-1, Typ 04 PN16 and Typ 34 PN16)

Application
14A / 17A flexible tubes

Material
Steel

Surface protection
Zinc-electroplated



Order no.	DN in mm	DN DIN-Flange	C in mm	b in mm	k in mm	number of screws	screws T	d in mm	h in mm	D in mm	E±3 in mm	B±3 in mm	L±3 in mm	Order No.	B±3 in mm	L±3 in mm
17.435-	19	20	105	14 (16)	75	4	M12	14	12 (14)	14	37	75	155	17.435k	71	115
17.435-	19	25	115	16	85	4	M12	14	12 (14)	14	40	80	160	17.435k	76	120
17.435-	25	20	105	14 (16)	75	4	M12	14	12 (14)	19	40	80	160	17.435k	76	120
17.435-	25	25	115	16	85	4	M12	14	12 (14)	19	40	80	160	17.435k	76	120
17.435-	25	32	140	16 (18)	100	4	M16	18	12 (14)	19	43 (44)	85 (86)	165 (166)	17.435k	81 (82)	125 (126)
17.435-	31	20	105	14 (16)	75	4	M12	14	12 (14)	26	40	80	160	17.435k	76	120

Order no.	DN in mm	DN DIN-Flange	C in mm	b in mm	k in mm	number of screws	screws T	d in mm	h in mm	D in mm	E±3 in mm	B±3 in mm	L±3 in mm	Order No.	B±3 in mm	L±3 in mm
17.435-	31	25	115	16	85	4	M12	14	12 (14)	26	40	85	165	17.435k	76	120
17.435-	31	32	140	16 (18)	100	4	M16	18	12 (14)	26	43 (44)	85 (86)	165 (166)	17.435k	81 (82)	125 (126)
17.435-	31	40	150	16 (18)	110	4	M16	18	12 (14)	26	43 (46)	90 (93)	170 (173)	17.435k	86 (89)	130 (133)
17.435-	38	20	105	14 (16)	75	4	M12	14	12 (14)	32	40	80	160	17.435k	76	120
17.435-	38	25	115	16	85	4	M12	14	12 (14)	32	40	80	160	17.435k	76	120
17.435-	38	32	140	16 (18)	100	4	M16	18	12 (14)	32	43 (44)	85 (86)	165 (166)	17.435k	81 (82)	125 (126)
17.435-	38	40	150	16 (18)	110	4	M16	18	12 (14)	32	43 (46)	85 (88)	165 (168)	17.435k	81 (82)	125 (126)
17.435-	38	50	165	16 (20)	125	4	M16	18	14 (16)	32	47	105	185	17.435k	101	145
17.435-	51	25	115	16	85	4	M12	14	12 (14)	44	40	98	190	17.435k	105	150
17.435-	51	32	140	16 (18)	100	4	M16	18	12 (14)	44	40 (41)	98 (99)	190 (191)	17.435k	105 (106)	150 (151)
17.435-	51	40	150	16 (18)	110	4	M16	18	12 (14)	44	53 (56)	83 (86)	175 (178)	17.435k	90 (93)	135 (138)
17.435-	51	50	165	16 (20)	125	4	M16	18	14 (16)	44	55	128	220	17.435k	110	155
17.435-	51	65	185	16 (20)	145	4 (8)	M16	18	14 (16)	44	55	133	225	17.435k	140	185
17.435-	60	25	115	16	85	4	M12	14	12 (14)	53	40	103	195	17.435k	110	155
17.435-	60	32	140	16 (18)	100	4	M16	18	12 (14)	53	43 (44)	101 (102)	193 (194)	17.435k	108 (109)	153 (154)
17.435-	60	40	150	16 (18)	110	4	M16	18	12 (14)	53	53 (56)	79 (82)	171 (174)	17.435k	86 (89)	131 (134)
17.435-	60	50	165	16 (20)	125	4	M16	18	14 (16)	53	55	88	180	17.435k	85	140
17.435-	60	65	185	16 (20)	145	4 (8)	M16	18	14 (16)	53	55	136	228	17.435k	143	188
17.435-	60	80	200	18 (20)	160	8	M16	18	16	53	55	141	233	17.435k	148	193
17.435-	76	32	140	16 (18)	100	4	M16	18	12 (14)	69	43 (44)	111 (112)	203 (204)	17.435k	118 (119)	163 (164)
17.435-	76	40	150	16 (18)	110	4	M16	18	12 (14)	69	53 (56)	119 (122)	211 (214)	17.435k	126 (129)	171 (174)
17.435-	76	50	165	16 (20)	125	4	M16	18	14 (16)	69	55	131	223	17.435k	138	183
17.435-	76	65	185	16 (20)	145	4 (8)	M16	18	14 (16)	69	55	128	220	17.435k	135	180
17.435-	76	80	200	18 (20)	160	8	M16	18	16	69	70	158	250	17.435k	153	198
17.435-	76	100	220	18 (22)	180	8	M16	18	16 (18)	69	70 (71)	165 (166)	257 (258)	17.435k	172 (173)	217 (218)
17.435-	90	40	150	16 (18)	110	4	M16	18	12 (14)	82	53 (56)	126 (129)	218 (221)	17.435k	133 (136)	178 (181)
17.435-	90	50	165	16 (20)	125	4	M16	18	14 (16)	82	55	138	230	17.435k	145	190

Order no.	DN in mm	DN DIN-Flange	C in mm	b in mm	k in mm	number of screws	screws T	d in mm	h in mm	D in mm	E±3 in mm	B±3 in mm	L±3 in mm	Order No.	B±3 in mm	L±3 in mm
17.435-	90	65	185	16 (20)	145	4 (8)	M16	18	14 (16)	82	55	136	228	17.435k	143	188
17.435-	90	80	200	18 (20)	160	8	M16	18	16	82	68	148 (159)	240 (251)	17.435k	155	200
17.435-	90	100	220	18 (22)	180	8	M16	18	16 (18)	82	77 (78)	168 (169)	260 (261)	17.435k	165 (166)	210 (211)
17.435-	102	50	165	16 (20)	125	4	M16	18	14 (16)	94	55	153	245	17.435k	157	205
17.435-	102	65	185	16 (20)	145	4 (8)	M16	18	14 (16)	94	55	168	260	17.435k	172	220
17.435-	102	80	200	18 (20)	160	8	M16	18	16	94	60	136	228	17.435k	140	188
17.435-	102	100	220	18 (22)	180	8	M16	18	16 (18)	94	70 (71)	148 (149)	240 (241)	17.435k	152 (153)	200 (201)
17.435-	102	125	250	18 (22)	210	8	M16	18	18	94	85 (88)	221 (224)	313 (316)	17.435k	265 (268)	313 (316)
17.435-	152	100	220	18 (22)	180	8	M16	18	16 (18)	142	70 (71)	197 (198)	325 (326)	17.435k	205 (206)	285 (286)
17.435-	152	125	250	18 (22)	210	8	M16	18	18	142	90 (93)	192 (195)	320 (323)	17.435k	200 (203)	280 (283)
17.435-	152	150	285	18 (24)	240	8	M20	22	18 (20)	142	105 (108)	273 (276)	401 (404)	17.435k	240 (243)	320 (323)
17.435-	152	200	340	20 (26)	295	12	M20	22	20	142	120 (124)	252 (256)	380 (384)	17.435k	260 (264)	340 (344)

Note

deviating measurements when En flanges are used

Suction and low-pressure fittings loose DIN flange 90°

Updated at:
24.05.2022

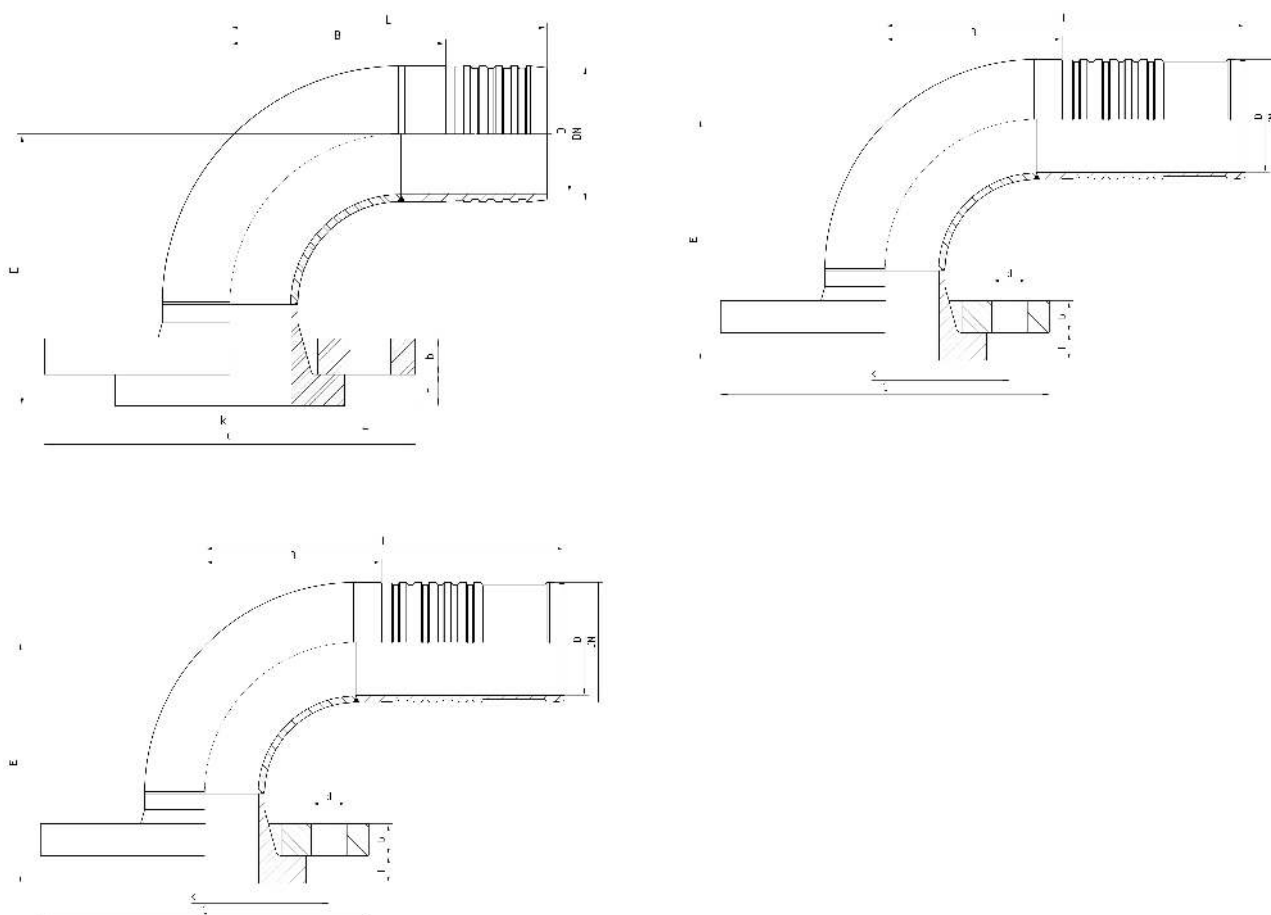
Connection
loose DIN flange

Standard
DIN 2673 (new: EN1092-1, Typ 04 PN16 and Typ 34 PN16)

Application
14A / 17A flexible tubes

Material
Steel

Surface protection
Zinc-electroplated



SUCTION AND LOW-
PRESSURE FITTINGS

Order no.	DN in mm	DN DIN-Flange	C in mm	b in mm	k in mm	number of screws	screws T	d in mm	h in mm	D in mm	E±3 in mm	B±3 in mm	L±3 in mm	Order No.	B±3 in mm	L±3 in mm
17.439-	19	20	105	14 (16)	75	4	M12	14	12 (14)	14	70	50	130	17.439k	46	90
17.439-	19	25	115	16	85	4	M12	14	12 (14)	14	75	55	135	17.439k	51	95
17.439-	25	20	105	14 (16)	75	4	M12	14	12 (14)	19	70	50	130	17.439k	46	90
17.439-	25	25	115	16	85	4	M12	14	12 (14)	19	75	55	135	17.439k	51	95

Order no.	DN in mm	DN DIN-Flange	C in mm	b in mm	k in mm	number of screws	screws T	d in mm	h in mm	D in mm	E±3 in mm	B±3 in mm	L±3 in mm	Order No.	B±3 in mm	L±3 in mm
17.439-	25	32	140	16 (18)	100	4	M16	18	12 (14)	19	85 (87)	65	145	17.439K	61	105
17.439-	31	20	105	14 (16)	75	4	M12	14	12 (14)	26	75	55	135	17.439K	51	95
17.439-	31	25	115	16	85	4	M12	14	12 (14)	26	75	55	135	17.439K	51	95
17.439-	31	32	140	16 (18)	100	4	M16	18	12 (14)	26	85 (87)	75	155	17.439K	61	105
17.439-	31	40	150	16 (18)	110	4	M16	18	12 (14)	26	90 (95)	70	150	17.439K	66	110
17.439-	38	20	105	14 (16)	75	4	M12	14	12 (14)	32	75	55	135	17.439K	51	95
17.439-	38	25	115	16	85	4	M12	14	12 (14)	32	75	55	135	17.439K	51	95
17.439-	38	32	140	16 (18)	100	4	M16	18	12 (14)	32	85 (87)	65	145	17.439K	61	105
17.439-	38	40	150	16 (18)	110	4	M16	18	12 (14)	32	90 (95)	70	150	17.439K	66	110
17.439-	38	50	165	16 (20)	125	4	M16	18	14 (16)	32	108	105	185	17.439K	98	142
17.439-	51	25	115	16	85	4	M12	14	12 (14)	44	85	86	178	17.439K	93	138
17.439-	51	32	140	16 (18)	100	4	M16	18	12 (14)	44	104 (106)	82	174	17.439K	93	138
17.439-	51	40	150	16 (18)	110	4	M16	18	12 (14)	44	97	75	167	17.439K	88	133
17.439-	51	50	165	16 (20)	125	4	M16	18	14 (16)	44	121	94	186	17.439K	98	143
17.439-	51	65	185	16 (20)	145	4 (8)	M16	18	14 (16)	44	139	203	295	17.439K	134	179
17.439-	60	25	115	16	85	4	M12	14	12 (14)	53	85	88	180	17.439K	95	140
17.439-	60	32	140	16 (18)	100	4	M16	18	12 (14)	53	90 (92)	93	185	17.439K	100	145
17.439-	60	40	150	16 (18)	110	4	M16	18	12 (14)	53	106 (111)	94	186	17.439K	101	146
17.439-	60	50	165	16 (20)	125	4	M16	18	14 (16)	53	118	86	178	17.439K	93	138
17.439-	60	65	185	16 (20)	145	4 (8)	M16	18	14 (16)	53	139	145	237	17.439K	132	177
17.439-	60	80	200	18 (20)	160	8	M16	18	16	53	145	125	217	17.439K	132	177
17.439-	76	32	140	16 (18)	100	4	M16	18	12 (14)	69	90 (92)	100	192	17.439K	107	152
17.439-	76	40	150	16 (18)	110	4	M16	18	12 (14)	69	106 (111)	113	205	17.439K	120	165
17.439-	76	50	165	16 (20)	125	4	M16	18	14 (16)	69	118	123	215	17.439K	125	170
17.439-	76	65	185	16 (20)	145	4 (8)	M16	18	14 (16)	69	139	123	215	17.439K	124	169
17.439-	76	80	200	18 (20)	160	8	M16	18	16	69	163	162	254	17.439K	169	214
17.439-	76	100	220	18 (22)	180	8	M16	18	16 (18)	69	182 (184)	177	269	17.439K	184	229

Order no.	DN in mm	DN DIN-Flange	C in mm	b in mm	k in mm	number of screws	screws T	d in mm	h in mm	D in mm	E±3 in mm	B±3 in mm	L±3 in mm	Order No.	B±3 in mm	L±3 in mm
17.439-	90	40	150	16(18)	110	4	M16	18	12 (14)	82	106 (111)	121	213	17.439k	128	173
17.439-	90	50	165	16 (20)	125	4	M16	18	14 (16)	82	118	125	217	17.439k	132	177
17.439-	90	65	185	16 (20)	145	4 (8)	M16	18	14 (16)	82	139	125	217	17.439k	132	177
17.439-	90	80	200	18 (20)	160	8	M16	18	16	82	163	151	243	17.439k	158	203
17.439-	90	100	220	18 (22)	180	8	M16	18	16 (18)	82	182 (184)	170	262	17.439k	177	222
17.439-	102	50	165	16 (20)	125	4	M16	18	14 (16)	94	118	140	232	17.439k	144	192
17.439-	102	65	185	16 (20)	145	4 (8)	M16	18	14 (16)	94	139	157	249	17.439k	161	209
17.439-	102	80	200	18 (20)	160	8	M16	18	16	94	163	139	231	17.439k	143	191
17.439-	102	100	220	18 (22)	180	8	M16	18	16 (18)	94	182 (184)	160	252	17.439k	164	212
17.439-	102	125	250	18 (22)	210	8	M16	18	18	94	232 (237)	245	337	17.439k	170	218
17.439-	152	100	220	18 (22)	180	8	M16	18	16 (18)	142	204 (206)	320	448	17.439k	217	297
17.439-	152	125	250	18 (22)	210	8	M16	18	18	142	240 (245)	222	350	17.439k	230	310
17.439-	152	150	285	18 (24)	240	8	M20	22	18 (20)	142	263 (268)	242	370	17.439k	250	330
17.439-	152	200	340	20 (26)	295	12	M20	22	20	142	330 (337)	322	450	17.439k	330	410

Note

deviating measurements when En flanges are used

Suction and low-pressure fittings weld-on nipple straight

Updated at:
24.05.2022

Connection

Schlaunippel mit Rohr zum Anschweißen

Application

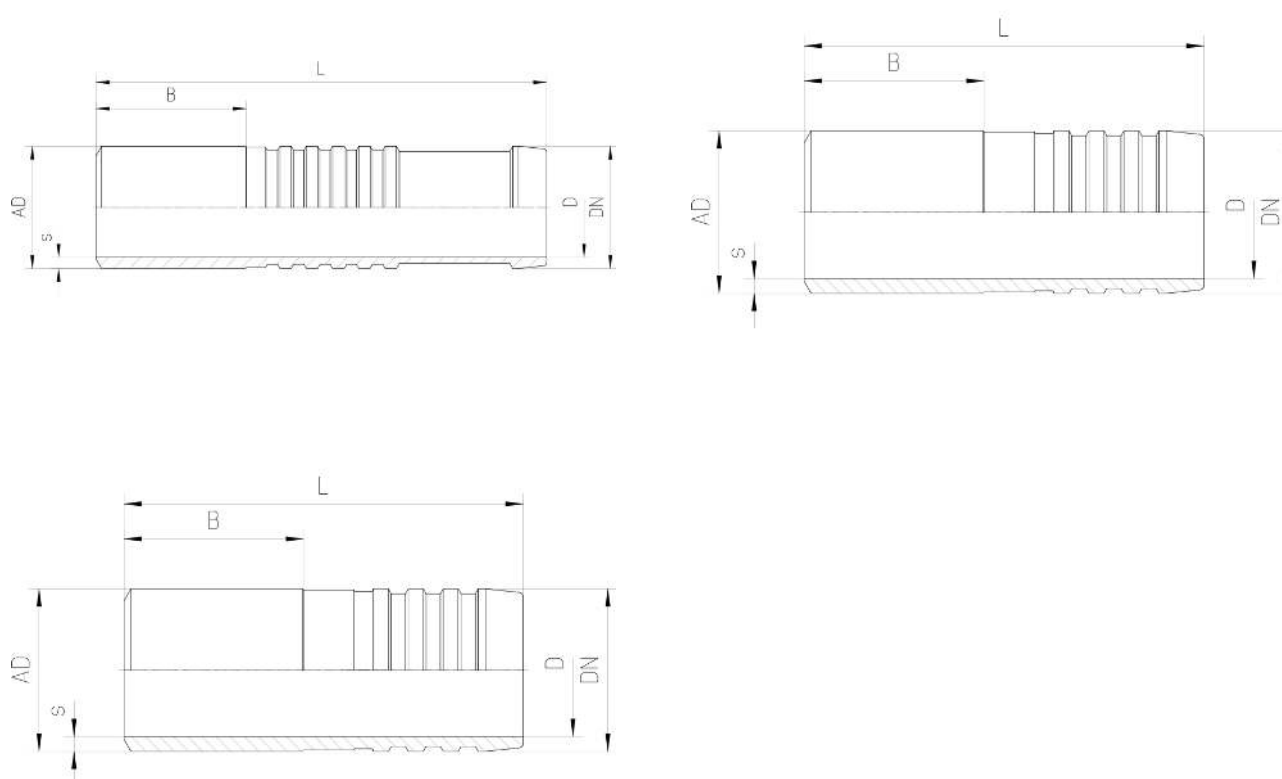
14A / 17A flexible tubes

Material

Steel

Surface protection

without



Order no.	DN in mm	Tube AD x s in mm	D in mm	B±3 in mm	L±3 in mm	Order No.	B±3 in mm	L±3 in mm
17.001-12	19	20,0x3,2	14,0	40	120	17.001K-12	36	80
17.001-16	25	26,1x3,1	19,0	40	120	17.001K-16	36	80
17.001-20	31	32,5x3,0	26,0	40	120	17.001K-20	36	80
17.001-24	38	38,8x3,0	32,0	40	120	17.001K-24	36	80
17.001-32	51	52,0x3,75	44,5	28	120	17.001K-32	45	90
17.001-36	60	60,3x3,6	53,0	28	120	17.001K-36	40	85
17.001-48	76	76,1x4,0	69,0	48	140	17.001K-48	55	100
17.001-56	90	88,9x3,6	82,0	58	150	17.001K-56	55	100
17.001-64	102	101,6x3,6	94,0	68	160	17.001K-64	72	120

Order no.	DN in mm	Tube AD x s in mm	D in mm	B±3 in mm	L±3 in mm	Order No.	B±3 in mm	L±3 in mm
17.001-96	152	152,4x5,6	142,0	32	160	17.001K-96	40	120

Suction and low-pressure fittings weld-on nipple 45°

Updated at:
24.05.2022

Connection

Schlaunippel mit Rohr zum Anschweißen

Application

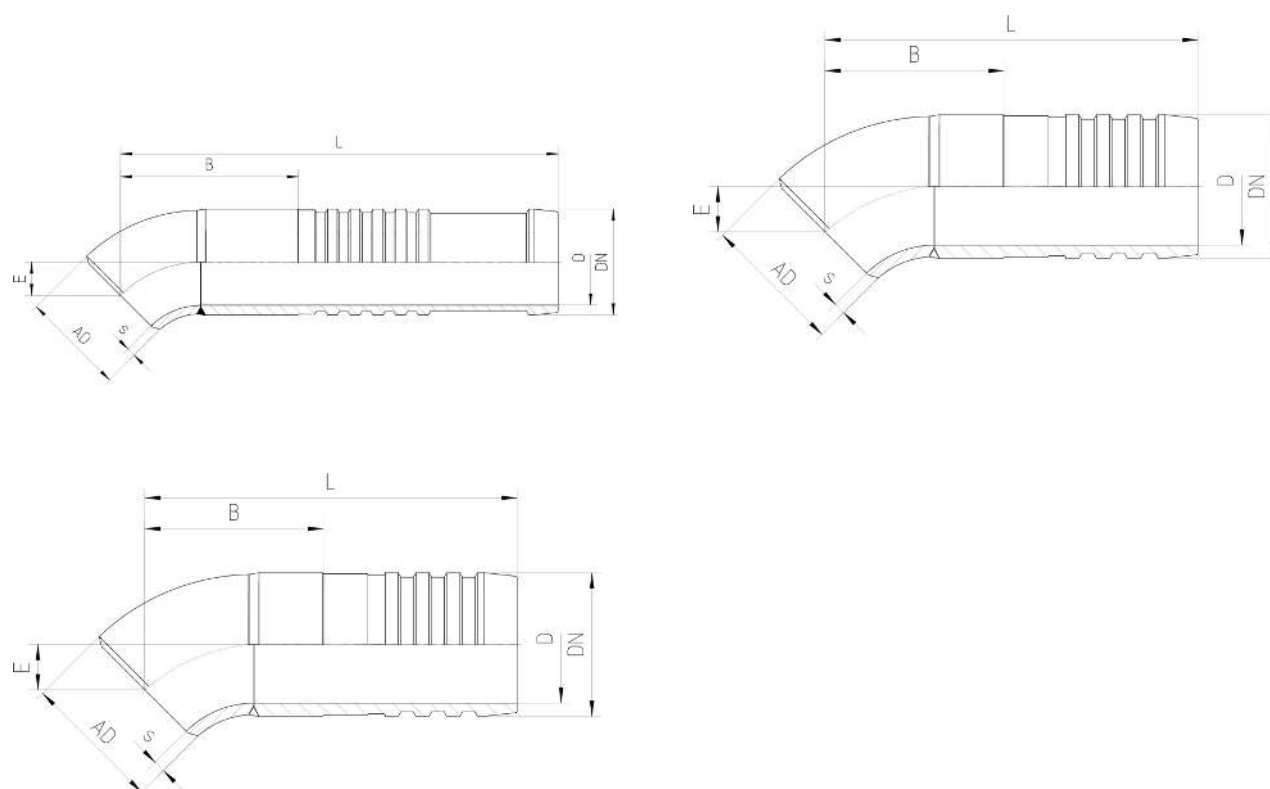
14A / 17A flexible tubes

Material

Steel

Surface protection

without



Order no.	DN in mm	Tube bend DIN2605/35 AD x s	D in mm	E±3 in mm	B±3 in mm	L±3 in mm	Order No.	B±3 in mm	L±3 in mm
17.005-12	19	21,3 x 2,0	14,0	7	26	120	17.005K-12	36	80
17.005-16	25	26,9 x 2,3	19,0	10	30	125	17.005K-16	41	85
17.005-20	31	31,8 x 2,6	26,0	14	34	135	17.005K-20	51	95
17.005-24	38	38,0 x 2,6	32,0	17	60	140	17.005K-24	56	100
17.005-32	51	51,0 x 3,2	44,5	20	78	170	17.005K-32	85	130
17.005-36	60	60,3 x 2,9	53,0	23	68	160	17.005K-36	75	120
17.005-48	76	76,1 x 2,9	69,0	29	59	190	17.005K-48	105	150
17.005-56	90	88,9 x 3,2	82,0	35	75	205	17.005K-56	120	165

Order no.	DN in mm	Tube bend DIN2605/3S AD x s	D in mm	E±3 in mm	B±3 in mm	L±3 in mm	Order No.	B±3 in mm	L±3 in mm
17.005-64	102	101,6 x 3,6	94,0	45	75	215	17.005K-64	127	175
17.005-96	152	139,0 x4,0	131,0	62	112	290	17.005K-96	170	250

Suction and low-pressure fittings weld-on nipple 90°

Updated at:
24.05.2022

Connection

Schlaunippel mit Rohr zum Anschweißen

Application

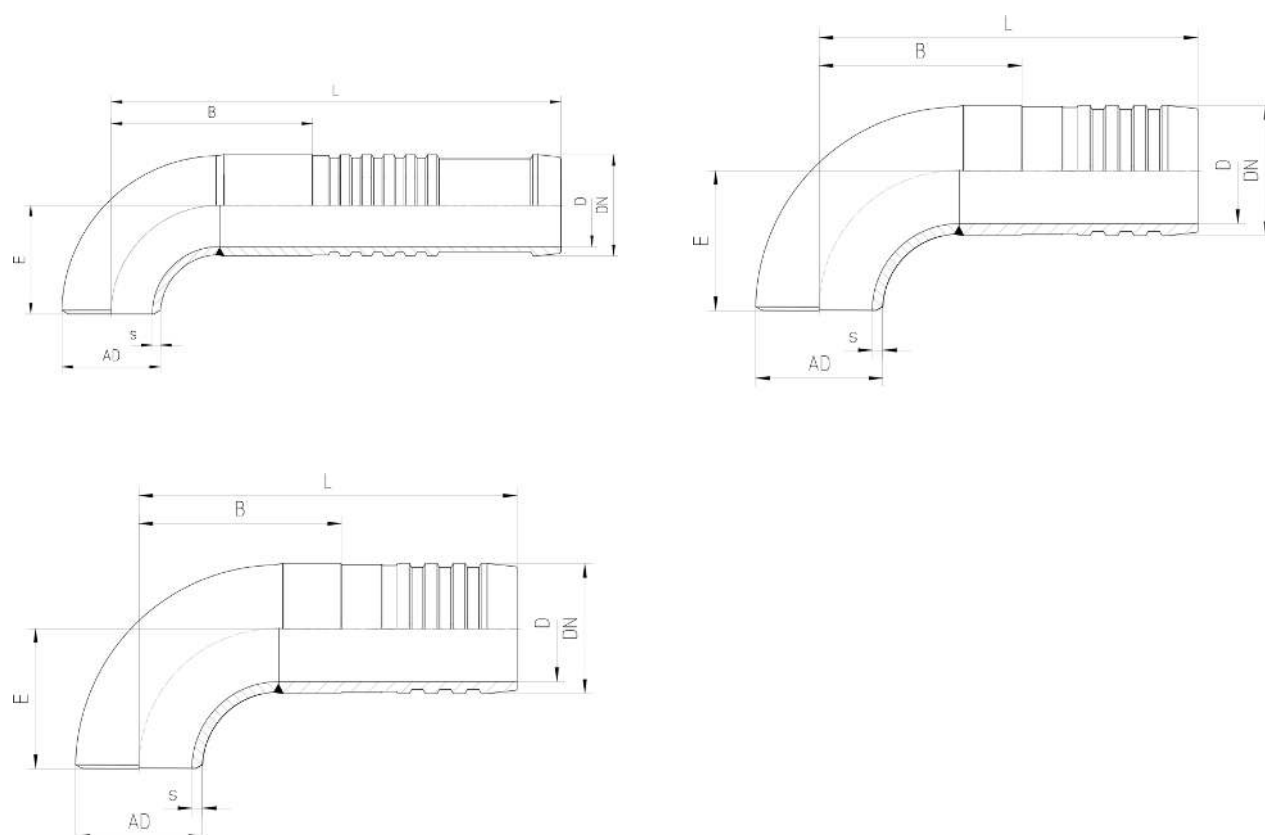
14A / 17A flexible tubes

Material

Steel

Surface protection

without



Order no.	DN in mm	Tube bend DIN2605/3S AD x s	D in mm	E±3 in mm	B±3 in mm	L±3 in mm	Order No.	B±3 in mm	L±3 in mm
17.009-12	19	21,3x2,0	14,0	26	71	125	17.009K-12	41	85
17.009-16	25	26,9x2,3	19,0	29	79	130	17.009K-16	46	90
17.009-20	31	31,8x2,6	26,0	35	90	135	17.009K-20	51	95
17.009-24	38	38,0x2,6	32,0	45	65	145	17.009K-24	61	105
17.009-32	51	51,0x3,2	44,5	64	102	194	17.009K-32	111	156
17.009-36	60	60,3x2,9	53,0	76	91	181	17.009K-36	96	141
17.009-48	76	76,1x2,9	69,0	95	125	215	17.009K-48	130	175
17.009-56	90	88,9x3,2	82,0	114	144	234	17.009K-56	149	194

Order no.	DN in mm	Tube bend DIN2605/3S AD x s	D in mm	E±3 in mm	B±3 in mm	L±3 in mm	Order No.	B±3 in mm	L±3 in mm
17.009-64	102	101,6x3,6	94,0	133	163	253	17.009K-64	165	213
17.009-96	152	139,0x4,0	131,0	190	250	350	17.009K-96	230	310

Suction and low-pressure fittings Ferrules 117G

Updated at:
24.05.2022

Application

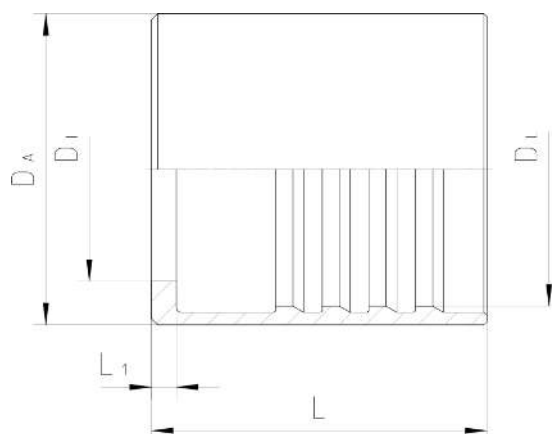
fitting type dh1000 fittings up to DN63, DH17 ab DN76 14A / 17A flexible tubes

Material

Steel

Surface protection

Zinc-electroplated



Order no.	DN in mm	DA in mm	DI in mm	DL in mm	L in mm	L1 in mm
117G-12	19	36,0	25,0	31,0	42,5	3,0
117G-16	25	42,0	30,3	37,0	46,0	3,8
117G-20	31	50,0	38,0	44,0	54,0	4,0
117G-24	38	56,5	43,9	51,0	57,0	4,1
117G-28	45	65,0	51,5	58,5	57,0	4,3
117G-32	51	70,0	59,5	65,0	74,0	4,5
117G-36	60	82,0	69,3	75,0	75,0	4,8
117G-40	63	84,0	73,0	78,0	81,0	4,8
117G-48	76	100,5	81,0	93,3	88,0	4,0
117G-56	90	114,3	93,1	107,1	96,0	4,0
117G-64	102	133,0	110,4	124,0	96,0	4,0

Order no.	DN in mm	DA in mm	DI in mm	DL in mm	L in mm	L1 in mm
117G-80	127	158,0	134,6	150,0	99,0	5,0
117G-96	152	189,0	159,0	175,0	131,0	6,0

Suction and low-pressure fittings Ferrules 115

Updated at:
24.05.2022

Application

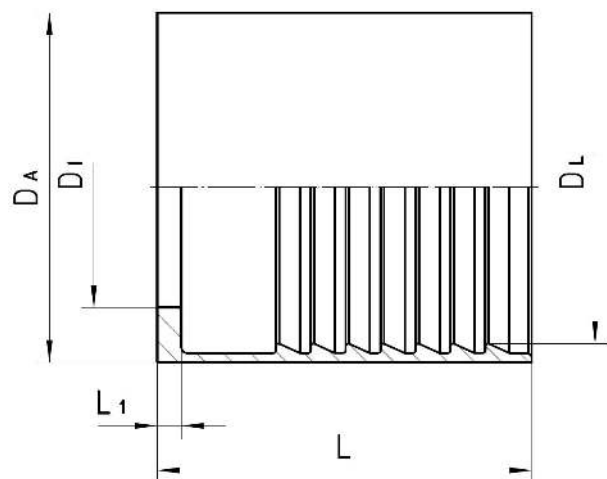
dH15 (on request) KARA/25 hose

Material

Steel

Surface protection

Zinc-electroplated



Order no.	DN in mm	DA in mm	DL in mm	DI in mm	L in mm	L1 in mm
115-20	31	55	49,1	37,8	59,0	3,8
115-24	38	67	55,5	45,5	76,7	4,2
115-32	51	80	68,2	57,8	80,2	4,4
115-40	63	98	86,0	75,0	75,0	4,5
115-48	76	108	98,0	87,0	80,0	4,5
115-64	102	143	130,0	113,0	130,0	8,6

Suction and low-pressure fittings Ferrules 116

Updated at:
24.05.2022

Application

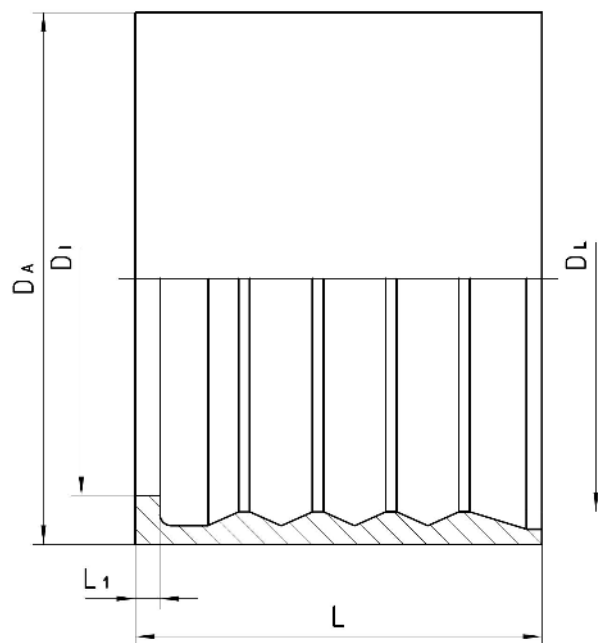
dH15 (on request) TW hose

Material

Steel

Surface protection

Zinc-electroplated



SUCTION AND LOW-
PRESSURE FITTINGS

Order no.	DN in mm	DA in mm	DL in mm	DI in mm	L in mm	L1 ±0,1 in mm
116-40	63	98	86	80	75	4,5
116-48	76	108	98	91	80	4,5
116-50	80	110	100	92	100	7,8
116-64	102	136	121	112	130	8,8

Suction and low-pressure fittings

Clamp mouting 113

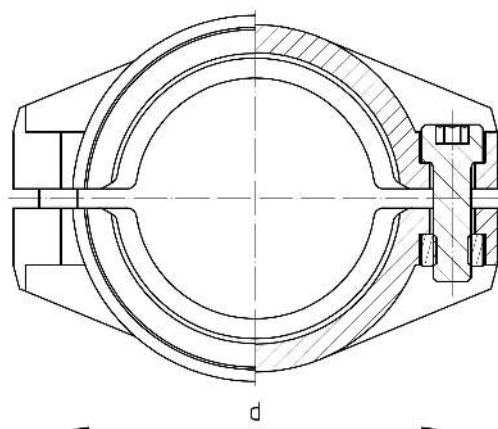
Updated at:
24.05.2022

Application

fitting type dh1000 fittings up to DN31, fitting type dh13 for DN38 an bigger (on request) 14A / KARA25 hoses

Material

Aluminium / brass



Order no.	Order no. old	DN in mm	clamp range d in mm
113-001	113-022024-AL	13	22 - 24
113-002	113-024026-MS	13	24 - 26
113-003	113-026028-MS	13	26 - 28
113-004	113-030033-AL	19	30 - 33
113-005	113-032034-MS	19	32 - 34
113-006	113-034036AL	19	34 - 36
113-007	113-036039-AL	25	36 - 39
113-008	113-037039-MS	25	37 - 39
113-009	113-039041-MS	25	39 - 41
113-010	113-040043-AL	25	40 - 43
113-011	113-041043-MS	25	41 - 43
113-012	113-043046-AL	31	43 - 46
113-013	113-047050-AL	31	47 - 50
113-014	113-050052-AL	38	50 - 52
113-016	113-053056-AL	38	53 - 56
113-017	113-057060-AL	38	57 - 60
113-018	113-058061-AL	40	58 - 61
113-019	113-064067-AL	52	64 - 67
113-020	113-067069-MS	52	67 - 69
113-021	113-069071-AL	52	69 - 71
113-022	113-073076-MS	52	73 - 76
113-023	113-078082-AL	65	78 - 82

Order no.	Order no. old	DN in mm	clamp range d in mm
113-024	113-084087-AI	65	84 - 87
113-025	113-088091-MS	65	88 - 91
113-026	113-089093-AI	75	89 - 93
113-027	113-094097-AI	75	94 - 97
113-029	113-098101-AI	75	98 - 101
113-030	113-099102-AI	80	99 - 102
113-031	113-114119-AI	102	114 - 119
113-032	113-118122-AI	102	118 - 122
113-033	113-122126-AI	102	122 - 126
113-034	113-126130-AI	102	126 - 130
113-035	113-130134-AI	102	130 - 134
113-036	113-143148-AI	125	143 - 148
113-037	113-149154-AI	125	149 - 154
113-038	113-153158-AI	125	153 - 158
113-039	113-168174-AI	152	168 - 174
113-040	113-174180-AI	152	174 - 180
113-041	113-178184-AI	152	178 - 184
113-042	113-222229-AI	200	222 - 229
113-043	113-230239-AI	200	230 - 239

Suction and low-pressure fittings

Hose clamp one piece 119

Updated at:
24.05.2022

Application

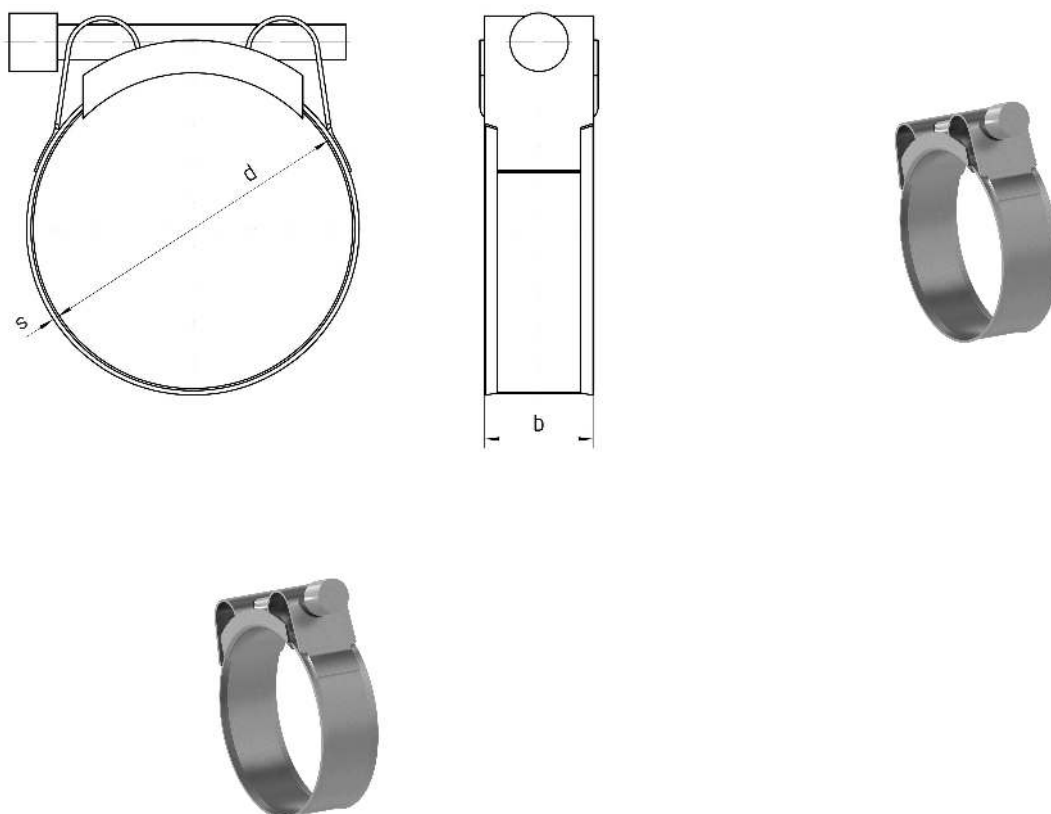
dH17, dH17.K 14A / 17A hoses

Material

Stainless steel braid (AISI 430)

Surface protection

Steel: Zinc-electroplated



Order no.	Order no. old	* DN for Hose Typ "17A"	clamping range d in mm	Steel strip width b in mm	Steel strip thickness s in mm
119-001	119-021023		21 - 23	18	0,6
119-002	119-023025		23 - 25	18	0,6
119-003	119-025027		25 - 27	18	0,6
119-004	119-027029		27 - 29	18	0,6
119-005	119-029031	19	29 - 31	20	0,8
119-006	119-031034		31 - 34	20	0,8
119-007	119-034037	25	34 - 37	20	0,6
119-008	119-037040		37 - 40	20	0,8
119-009	119-040043		40 - 43	20	0,8
119-010	119-043047		43 - 47	20	0,9
119-011	119-047051	38	47 - 51	20	0,9

Order no.	Order no. old	* DN for Hose Typ "17A"	clamping range d in mm	Steel strip width b in mm	Steel strip thickness s in mm
119-012	119-051055		51 - 55	20	0,9
119-013	119-055059		55 - 59	20	0,9
119-014	119-059063		59 - 63	20	0,9
119-015	119-063068		63 - 68	20	0,9
119-016	119-068073	60	68 - 73	25	1,0
119-017	119-073079	63	73 - 79	25	1,0
119-019	119-079085		79 - 85	25	1,0
119-020	119-085091	76	85 - 91	25	1,0
119-021	119-091097		91 - 97	25	1,0
119-023	119-097104	90	97 - 104	25	1,0
119-024	119-104112		104 - 112	25	1,0
119-025	119-112121	102	112 - 121	25	1,0
119-026	119-121130		121 - 130	25	1,0
119-027	119-130140		130 - 140	28	1,2
119-028	119-140150	127	140 - 150	28	1,2
119-029	119-150162		150 - 162	28	1,2
119-030	119-162174	152	162 - 174	28	1,2
119-031	119-174187		174 - 187	28	1,2
119-033	119-187200		187 - 200	28	1,2
119-034	119-200213		200 - 213	28	1,2
119-035	119-213226		213 - 226	28	1,2
119-036	119-226239		226 - 239	28	1,2
119-037	119-239252		239 - 252	28	1,2

Suction and low-pressure fittings

Hose clamp two piece 219

Updated at:
24.05.2022

Application

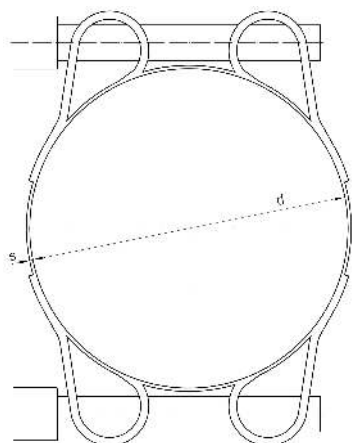
dH17, dH17.K 14A / 17A hoses

Material

steel

Surface protection

Zinc-electroplated



Order no.	Order no. old	* DN for Hose Typ "17A"	clamping range d in mm	Steel strip width b in mm	Steel strip thickness s in mm
219-001	219-047052		47 - 52	20	1
219-002	219-057062	51	57 - 62	20	1,0
219-004	219-067072	60	67 - 72	20	1,0
219-006	219-087092	76	87 - 92	20	1,0
219-007	219-102107		102 - 107	20	1,0
219-008	219-112117	102	112 - 117	20	1,0
219-009	219-141147	127	141 - 147	25	1,5
219-011	219-165172		165 - 172	25	1,5
219-012	219-215222	200	215 - 222	30	2,0

Suction and low-pressure fittings

Ball valves with flange connection acc. to DIN 2673

Updated at:
24.05.2022

Order no.	DN in mm	DN DIN- Flange	Ball valve	D in mm	b in mm	k in mm	d2 in mm	h in mm	screws number	screws thread	d1 (inside diameter Ball valve)	L ±3 in mm
33.3/4-434-17	25	20	3/4	105	14	75	14	12	4	M12	19	183
33.1-434-16-2	31	25	1	115	16	85	14	12	4	M12	24	202
33.1 1/4-434-20-2	38	32	1 1/4	140	16	100	18	12	4	M16	30	208
33.1 1/2-434-24-3	51	40	1 1/2	150	16	110	18	12	4	M16	38	230
33.2-434-32-5	60	50	2	165	16	125	18	14	4	M16	48	245
33.2 1/2-434-40-4	76	65	2 1/2	185	16	145	18	14	4	M16	64	260
33.3-434-48-5	90	80	3	200	18	160	18	16	8	M16	74	290
33.4-434-64-6	102	100	4	220	18	180	18	16	8	M16	98	340

Suction and low-pressure fittings

Ball valves with SAE flange connection

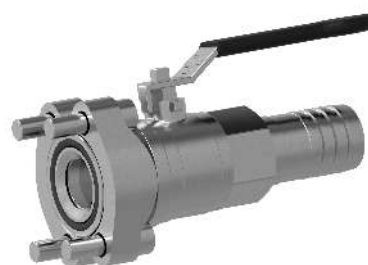
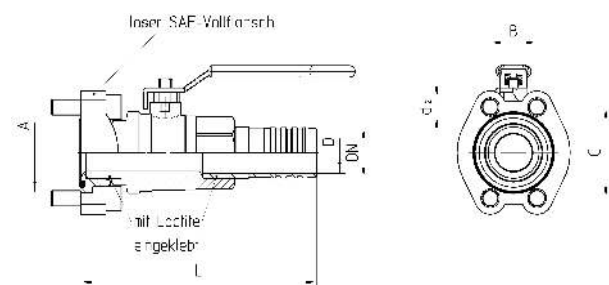
Updated at:
24.05.2022

Material

Ball valve: casing: nickelized brass; fittings: steel Ball: hard chromium plated brass sealing: teflon

Surface protection

DIN 50979 Fe//Zn8//Cn//T2



Order no.	DN in mm	Ball valve in inch	flange in inch	d1 (inside diameter Ball valve)	L±5 in mm	A in mm	B in mm	C in mm	d2 in mm
33.3/4-16-16	25	3/4	1	20	140	44,45	26,2	52,4	10,5
33.1-20-20	31	1	1 1/4	25	155	50,8	30,2	58,7	12,0
33.1 1/4-24-24	38	1 1/4	1 1/2	32	165	60,33	35,7	69,9	13,5
33.1 1/2-40-32	51	1 1/2	2 1/2	38	187	84,12	50,8	88,9	13,5
33.2-48-36	60	2	3	48	200	101,6	61,9	106,4	16,8
33.2 1/2-64-48	76	2 1/2	4	64	220	127,0	77,8	130,2	17,0
33.3-80-56	90	3	5	74	245	152,4	92,1	152,4	17,0
33.4-80-64	102	4	5	98	346	152,4	92,1	152,4	17,0

Note

Extent of supply: incl. full flange, O-ring, screws

Suction and low-pressure fittings Ball valves SAE flange connection 90° 1st variant

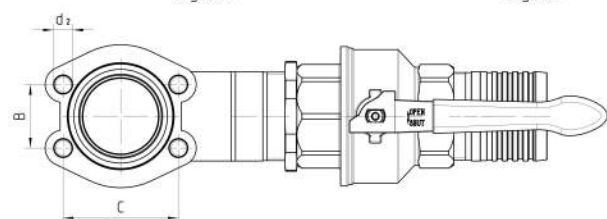
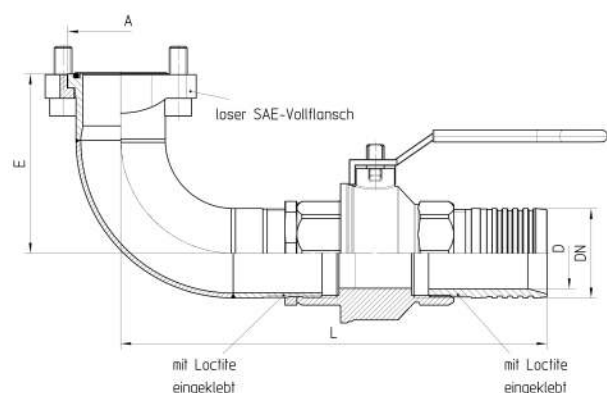
Updated at:
24.05.2022

Material

Ball valve: casing: nickelized brass; fittings: steel Ball: hard chromium plated brass sealing: teflon

Surface protection

DIN 50979 Fe//Zn8//Cn//T2



SUCTION AND LOW-
PRESSURE FITTINGS

Order no.	DN in mm	Ball valve in inch	flange in inch	d1 (inside diameter Ball valve)	E±3 in mm	L±5 in mm	A in mm	B in mm	C in mm	d2 in mm
33.3/4-12/90-16	25	3/4	3/4	20	59,0	206	38,10	22,2	47,6	10,5
33.1-16/90-20	31	1	1	25	70,0	233	44,45	26,2	52,4	10,5
33.1 1/4-20/90-24	38	1 1/4	1 1/4	32	85,0	255	50,80	30,2	58,7	12,0
33.1 1/2-24/90-32	51	1 1/2	1 1/2	38	102,0	287	60,33	35,7	69,9	13,5
33.2-32/90-36	60	2	2	48	121,0	326	71,42	42,9	77,8	13,5

Order no.	DN in mm	Ball valve in inch	flange in inch	d1 (inside diameter Ball valve)	E±3 in mm	L±5 in mm	A in mm	B in mm	C in mm	d2 in mm
33.2 1/2-40/90-48	76	2 1/2	2 1/2	64	145,0	378	84,12	50,8	88,9	13,5
33.3-48/90-56	90	3	3	74	166,0	424	101,60	61,90	106,4	16,8
33.4-64/90-64	102	4	4	98	201,0	530	127,0	77,80	130,2	17,0

Note

Extent of supply: incl. full flange, O-ring, screws

Suction and low-pressure fittings Ball valves with SAE flange connection 90° 2nd variant

Updated at:
24.05.2022



SUCTION AND LOW-
PRESSURE FITTINGS

Order no.	DN in mm	Ball valve	flange in inch	d1 (inside diameter Ball valve)	L±5 in mm	E±3 in mm	A in mm	B in mm	C in mm	d2 in mm
33.3/4-16-16/90	25	3/4	1	20	132	89	44,45	26,2	52,4	10,5
33.1-20-20/90	31	1	1 1/4	25	154	98	50,80	30,2	58,7	12,0
33.1 1/4-24-24/90	38	1 1/4	1 1/2	32	177	108	60,33	35,7	69,9	13,5
33.1 1/2-40-32/90	51	1 1/2	2 1/2	38	205	122	84,12	50,8	88,9	13,5
33.2-48-36/90	60	2	3	48	236	141	101,60	61,9	106,4	16,8
33.2 1/2-64-48/90	76	2 1/2	4	64	277	175	127,00	77,8	130,2	17,0
33.3-80-56/90	90	3	5	74	320	205	152,40	92,1	152,4	17,0
33.4-80-64/90	102	4	5	98	409	248	152,00	92,1	152,4	17,0

Suction and low-pressure fittings

Tank connector with SAE flange

Updated at:
24.05.2022

Order no.	SAE-Flange	Tube dimension (dxs)	L Tube	Cylinder screws DIN EN ISO 4762 -8.8 4x	O - Ring
18.420-08-0450	1/2	18,0 x 1,5	450	M 8x25	18,66x3,53
18.420-12-0500	3/4	28,0 x 3,0	500	M 10x30	25,00x3,53
18.420-16-0550	1	35,0 x 3,0	550	M 10x30	32,92x3,53
18.420-20-0600	1 1/4	42,0 x 3,0	600	M 10x30	37,70x3,53
18.420-24-0650	1 1/2	48,3 x 3,2	650	M 12x35	47,22x3,53
18.420-32-0700	2	60,3 x 3,6	700	M 12x35	56,75x3,53
18.420-40-0750	2 1/2	76,1 x 3,6	750	M 12x35	69,45x3,53
18.420-48-1250	3	88,9 x 3,6	1250	M 16x45	85,32x3,53
18.420-56-1500	3 1/2	101,6 x 3,6	1500	M 16x45	98,02x3,53
18.420-64-1500	4	114,3 x 3,6	1500	M 16x45	110,72x3,53
18.420-80-1500	5	139,7 x 4,0	1500	M 16x50	136,12x3,53

Suction and low-pressure fittings

Tank connector with SAE flange 90° elbow

Updated at:
24.05.2022

Order no.	SAE-Flange	Tube dimension (dxs)	E±3 in mm	L Tube	Cylinder screws DIN EN ISO 4762 -8.8 4x	O - Ring
18.470-08-0600	1/2	18,0 x 1,5	50,0	600	M 8x25	18,66x3,53
18.470-12-0650	3/4	28,0 x 3,0	65,0	650	M 10x30	25,00x3,53
18.470-16-0700	1	35,0 x 3,0	80,0	700	M 10x30	32,92x3,53
18.470-20-0750	1 1/4	42,0 x 3,0	100,0	750	M 10x30	37,70x3,53
18.470-24-0800	1 1/2	48,3 x 3,2	103,5	800	M 12x35	47,22x3,53
18.470-32-0850	2	60,3 x 3,6	123,0	850	M 12x35	56,75x3,53
18.470-40-0900	2 1/2	76,1 x 3,6	147,0	900	M 12x35	69,45x3,53
18.470-48-1500	3	88,9 x 3,6	167,0	1500	M 16x45	85,32x3,53
18.470-56-1750	3 1/2	101,6 x 3,6	164,0	1750	M 16x45	98,02x3,53
18.470-64-1750	4	114,3 x 3,6	202,0	1750	M 16x45	110,72x3,53
18.470-80-1750	5	139,7 x 4,0	242,0	1750	M 16x50	136,12x3,53

Suction and low-pressure fittings

Tank connector for gear pumps with square flange straight

Updated at:
24.05.2022

Order no.	LK	Tube dimension (dxs)	L Tube	Cylinder screws DIN EN ISO 4762 -8.8 4x	O - Ring
18.GF35LK-15.0-500	35	15.0 x 1.5	500	M 6x22	20x2.5
18.GF35LK-18.0-500	35	18.0 x 1.5	500	M 6x22	20x2.5
18.GF35LK-22.0-500	35	22.0 x 2.0	500	M 6x22	20x2.5
18.GF35LK-28.0-500	35	28.0 x 2.0	500	M 6x22	20x2.5
18.GF40LK-18.0-500	40	18.0 x 1.5	500	M 6x22	26x2.5
18.GF40LK-22.0-500	40	22.0 x 2.0	500	M 6x22	26x2.5
18.GF40LK-28.0-500	40	28.0 x 2.0	500	M 6x22	26x2.5
18.GF55LK-35.0-600	55	35.0 x 2.0	600	M 8x25	32.92x3.53
18.GF55LK-42.0-600	55	42.0 x 2.0	600	M 8x25	32.92x3.53

Suction and low-pressure fittings

Tank connector for gear pumps with square flange 90° elbow

Updated at:
24.05.2022

Order no.	LK	Tube dimension (dxs)	L Tube	E±3 in mm	Cylinder screws DIN EN ISO 4762 - 8.8 4x	O - Ring
18.WF35LK-15.0-500	35	15.0 x 1.5	500	50	M 6x22	20x2.5
18.WF35LK-18.0-500	35	18.0 x 1.5	500	50	M 6x22	20x2.5
18.WF35LK-22.0-500	35	22.0 x 2.0	500	65	M 6x22	20x2.5
18.WF35LK-28.0-500	35	28.0 x 2.0	500	65	M 6x22	20x2.5
18.WF40LK-18.0-500	40	18.0 x 1.5	500	50	M 6x22	26x2.5
18.WF40LK-22.0-500	40	22.0 x 2.0	500	65	M 6x22	26x2.5
18.WF40LK-28.0-500	40	28.0 x 2.0	500	65	M 6x22	26x2.5
18.WF55LK-35.0-600	55	35.0 x 2.0	600	80	M 8x25	32.92x3.53
18.WF55LK-42.0-600	55	42.0 x 2.0	600	100	M 8x25	32.92x3.53

Suction and low-pressure fittings

Tank connector for return pipes for return pipe

Updated at:
24.05.2022

Order no.	Connector d (light duty)	Thread Inch	d in mm	s in mm	DKAZ
18.GE-12LR L325	12L	G 3/8	12	1,5	
18.GE-15LR L325	15L	G 1/2	16	1,5	
18.GE-18LR L325	18L	G 1/2	16	1,5	
18.GE-22LR L325	22L	G 3/4	20	1,5	*)
18.GE-28LR L325	28L	G 1	25	1,5	*)
18.GE-35LR L325	35L	G 1 1/4	35	3,0	*)
18.GE-42LR L325	42L	G 1 1/2	38	1,5	*)

Order no.	Connector d (light duty)	Thread Inch	d in mm	s in mm	DKAZ
18.GE-10SR L325	10S	G 3/8	12	1,5	
18.GE-12SR L325	12S	G 3/8	12	1,5	
18.GE-16SR L325	16S	G 1/2	16	1,5	
18.GE-20SR L325	20S	G 3/4	20	1,5	*)
18.GE-25SR L325	25S	G 1	25	1,5	*)
18.GE-30SR L325	30S	G 1 1/4	35	1,5	*)
18.GE-38SR L325	38S	G 1 1/2	38	1,5	*)

Order no.	Connector d (light duty)	Thread Inch	d in mm	s in mm	DKAZ
18.GE-12LR L180	12L	G 3/8	12	1,5	
18.GE-15LR L180	15L	G 1/2	16	1,5	
18.GE-18LR L180	18L	G 1/2	16	1,5	
18.GE-22LR L180	22L	G 3/4	20	1,5	*)
18.GE-28LR L180	28L	G 1	25	1,5	*)

Order no.	Connector d (light duty)	Thread Inch	d in mm	s in mm	DKAZ
18.GE-18LR L1000	18L	G 1/2	16	1,5	
18.GE-22LR L1000	22L	G 3/4	20	1,5	*)
18.GE-28LR L1000	28L	G 1	25	1,5	*)
18.GE-35LR L1000	35L	G 1 1/4	35	3,0	*)
18.GE-42LR L1000	42L	G 1 1/2	38	1,5	*)

Order no.	Connector d (light duty)	Thread Inch	d in mm	s in mm	DKAZ
18.GE-16SR L1000	16S	G 1/2	16	1,5	
18.GE-20SR L1000	20S	G 3/4	20	1,5	*)
18.GE-25SR L1000	25S	G 1	25	1,5	*)
18.GE-30SR L1000	30S	G 1 1/4	35	1,5	*)

Order no.	Connector d (light duty)	Thread Inch	d in mm	s in mm	DKAZ
18.GE-38SR L1000	38S	G 1 1/2	38	1,5	*)

Suction and low-pressure fittings RODI

Updated at:
24.05.2022



Order no.	Bestell Nr. komplett	Bestell Nr. D1-D2	Bestell Nr. UC	Verwendbar für Anschluß
			RODI-UC-15.0-28.5	18.GF35LK-15.0-500
				18.WF35LK-15.0-500
RODI-18.0-35.0KPL	RODI-18.0-35.0KPL	RODI-18.0-35.0	RODI-UC-18.0-28.5	18.420-08-0450
				18.470-08-0600
				18.GF35LK-18.0-500
				18.GF40LK-18.0-500
				18.WF35LK-18.0-500
				18.WF40LK-18.0-500
RODI-22.0-42.0KPL	RODI-22.0-42.0KPL	RODI-22.0-42.0	RODI-UC-22.0-28.5	18.GF35LK-22.0-500
				18.GF40LK-22.0-500
				18.WF35LK-22.0-500
				18.WF40LK-22.0-500
RODI-28.0-48.3KPL	RODI-28.0-48.3KPL	RODI-28.0-48.3	RODI-UC-28.0-42.5	18.420-12-0500
				18.470-12-0650
				18.GF35LK-28.0-500
				18.GF40LK-28.0-500
				18.WF35LK-28.0-500

Order no.	Bestell Nr. komplett	Bestell Nr. D1-D2	Bestell Nr. UC	Verwendbar für Anschluß
				18.WF40LK-28.0-500
RODI-35.0-60.3KPL	RODI-35.0-60.3KPL	RODI-35.0-60.3	RODI-UC-35.0-42.5	18.420-16-0550
				18.470-16-0700
				18.GF55LK-35.0-600
				18.WF55LK-35.0-600
RODI-42.4-60.3KPL	RODI-42.4-60.3KPL	RODI-42.4-60.3	RODI-UC-42.0-58.5	18.420-20-0600
				18.470-20-0750
				18.GF55LK-42.0-600
				18.WF55LK-42.0-600
RODI-48.3-76.1KPL	RODI-48.3-76.1KPL	RODI-48.3-76.1	RODI-UC-48.5-58.5	18.420-24-0650
				18.470-24-0800
RODI-60.3-88.9KPL	RODI-60.3-88.9KPL	RODI-60.3-88.9	RODI-UC-60.5-68.5	18.420-32-0700
				18.470-32-0850
RODI-76.1-101.6KPL	RODI-76.1-101.6KPL	RODI-76.1-101.6		18.420-40-0750
				18.470-40-0900
RODI-88.9-114.3KPL	RODI-88.9-114.3KPL	RODI-88.9-114.3		18.420-48-1250
				18.470-48-1500
RODI-114.3-139.7KPL	RODI-114.3-139.7KPL	RODI-114.3-139.7		18.420-64-1500
				18.470-64-1750
RODI-139.7-168.3KPL	RODI-139.7-168.3KPL	RODI-139.7-168.3		18.420-80-1500
				18.470-80-1750

Dipl. Ing. K. Dietzel GmbH

D 04626 **Beerwalde**
Leedenstraße 10

Phone: +49 (36602) 140-0
Fax: +49 (36602) 140-809

Email: info@dietzel-hydraulik.de

Sales

Phone: +49 (36602) 140-140
Fax: +49 (36602) 3 47 27

Email: vertrieb@dietzel-hydraulik.de

For more information scan here:



www.dietzel-hydraulik.de